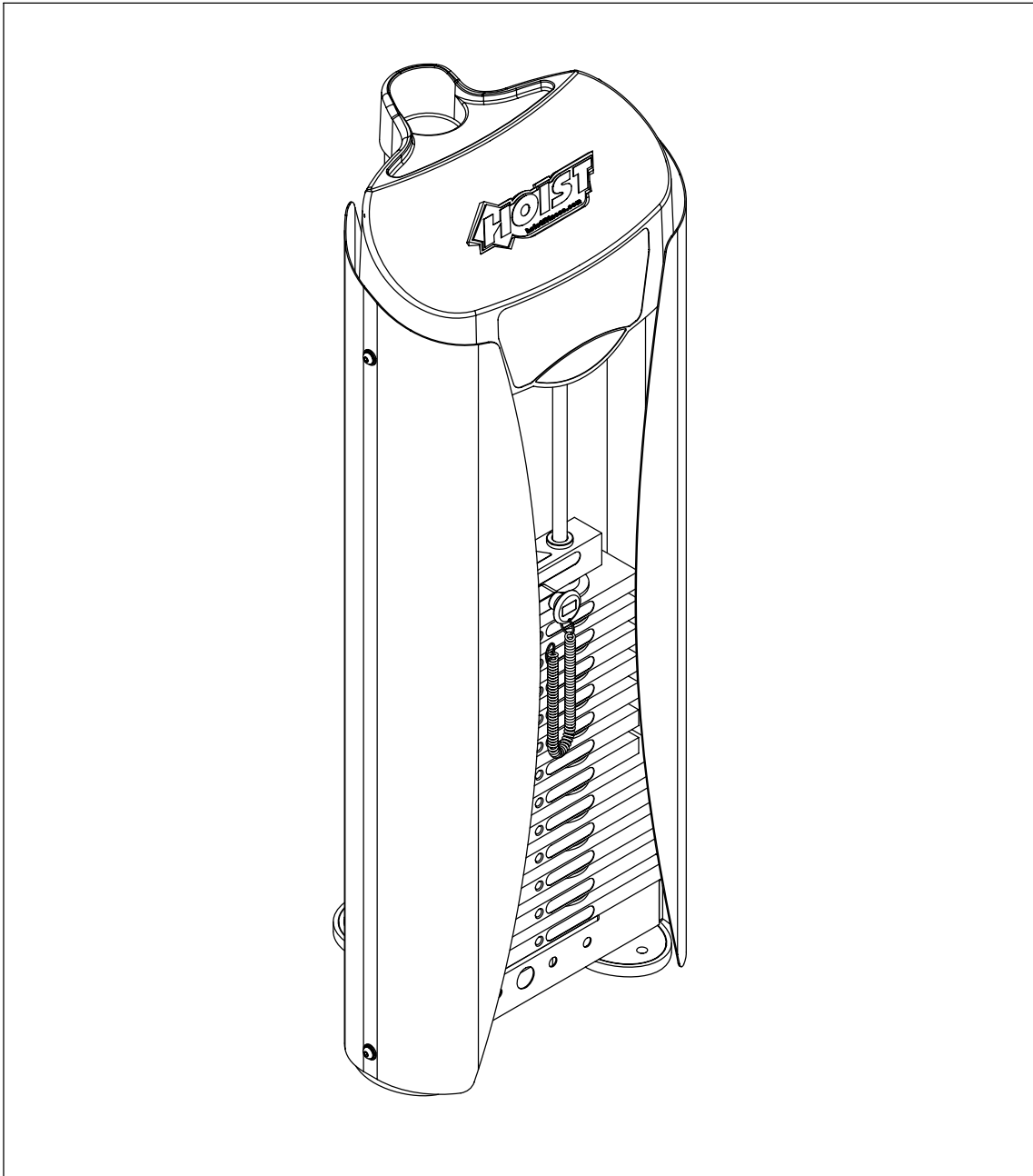


OWNER'S MANUAL



ROC-IT WEIGHT CAGE



Note: Both Serial Number and Model Number are Required when Ordering Parts

RECORD SERIAL NUMBER HERE

CATALOG NUMBER

0406 - 016

Customer Service

(800) 548-5438

(858) 578-7676

Fax

(858) 578-9558

OWNER'S MANUAL

CONTENTS

| | |
|--------------------------------------|----|
| INSTRUCTIONS | 02 |
| FRAME ASSEMBLY | 03 |
| WEIGHT STACK CONFIGURATIONS..... | 04 |
| PRE-ASSEMBLY..... | 24 |
| DECAL PLACEMENT..... | 25 |
| DECAL REFERENCE..... | 26 |
| PART LIST..... | 27 |
| ABBREVIATIONS..... | 28 |
| BOLT SIZING CHART..... | 29 |
| WASHER SIZING CHART..... | 31 |
| GENERAL MAINTENANCE INFORMATION..... | 33 |
| MAINTENANCE SCHEDULE..... | 35 |
| WEIGHT TRAINING TIPS..... | 36 |
| EXERCISE LOG..... | 37 |
| LIMITED WARRANTY..... | 38 |

OWNER'S MANUAL

INSTRUCTIONS

Before beginning assembly please take the time to read instructions thoroughly. Please use the various lists in this manual to make sure that all parts have been included in your shipment. When ordering, use part number and description from the lists. Use only HOIST replacement parts when servicing. Failure to do so will void your warranty and could result in personal injury.

HOIST equipment is designed to provide the smoothest, most effective exercise motion possible. After assembly, you should check all functions to ensure correct operation. If you experience problems, first recheck the assembly instructions to locate any possible errors made during assembly. If you are unable to correct the problem, call your authorized HOIST dealer. Be sure to have your serial number and this manual when calling. When all parts have been accounted for, continue on.

TOOLS REQUIRED

Ratchet Wrench

1/2", 9/16" and 3/4" Sockets

Adjustable Wrench

Rubber Mallet

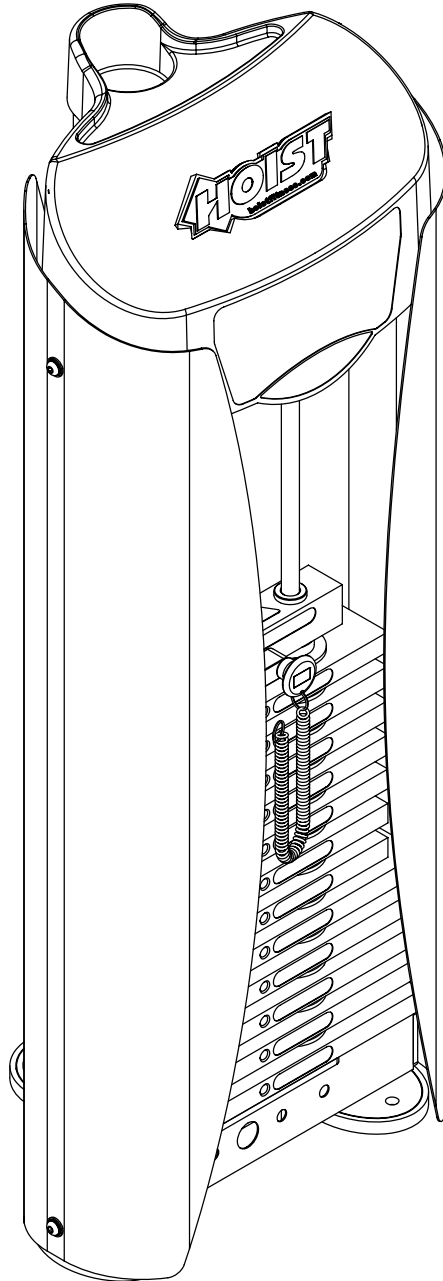
Tape Measure

Level

Hex Key Wrench Set

OWNER'S MANUAL

FRAME ASSEMBLY



OWNER'S MANUAL

WEIGHT STACK CONFIGURATIONS

| RS-1601 AB | RS-1501 SHOULDER PRESS | RS-1403 LEG PRESS | RS-1402 LEG CURL | RS-1401 LEG EXTENSION | RS-1302 PEC FLY | RS-1301 CHEST PRESS | RS-1203 SEATED MID ROW | RS-1201 PULLDOWN | RS-1102 BICEPS CURL | RS-1101 SEATED DIP | |
|------------|------------------------|-------------------|------------------|-----------------------|-----------------|---------------------|------------------------|------------------|---------------------|--------------------|---------------------------------------|
| | | | | | | | | | | | CIRCUIT STACK #1 |
| | | | | | | | | | | | COMPETITION STACK #1 |
| | | | | | | | | | | | CIRCUIT STACK #2 |
| | | | | | | | | | | | COMPETITION STACK #2 |
| | | | | | | | | | | | CIRCUIT STACK #2 W/ STAND OFFS |
| | | | | | | | | | | | COMPETITION STACK #2 W/ STAND OFFS |
| | | | | | | | | | | | CIRCUIT STACK #4 W/ STAND OFFS |
| | | | | | | | | | | | COMPETITION STACK #4 W/ STAND OFFS |
| | | | | | | | | | | | CIRCUIT STACK #5 |
| | | | | | | | | | | | COMPETITION STACK #5 |

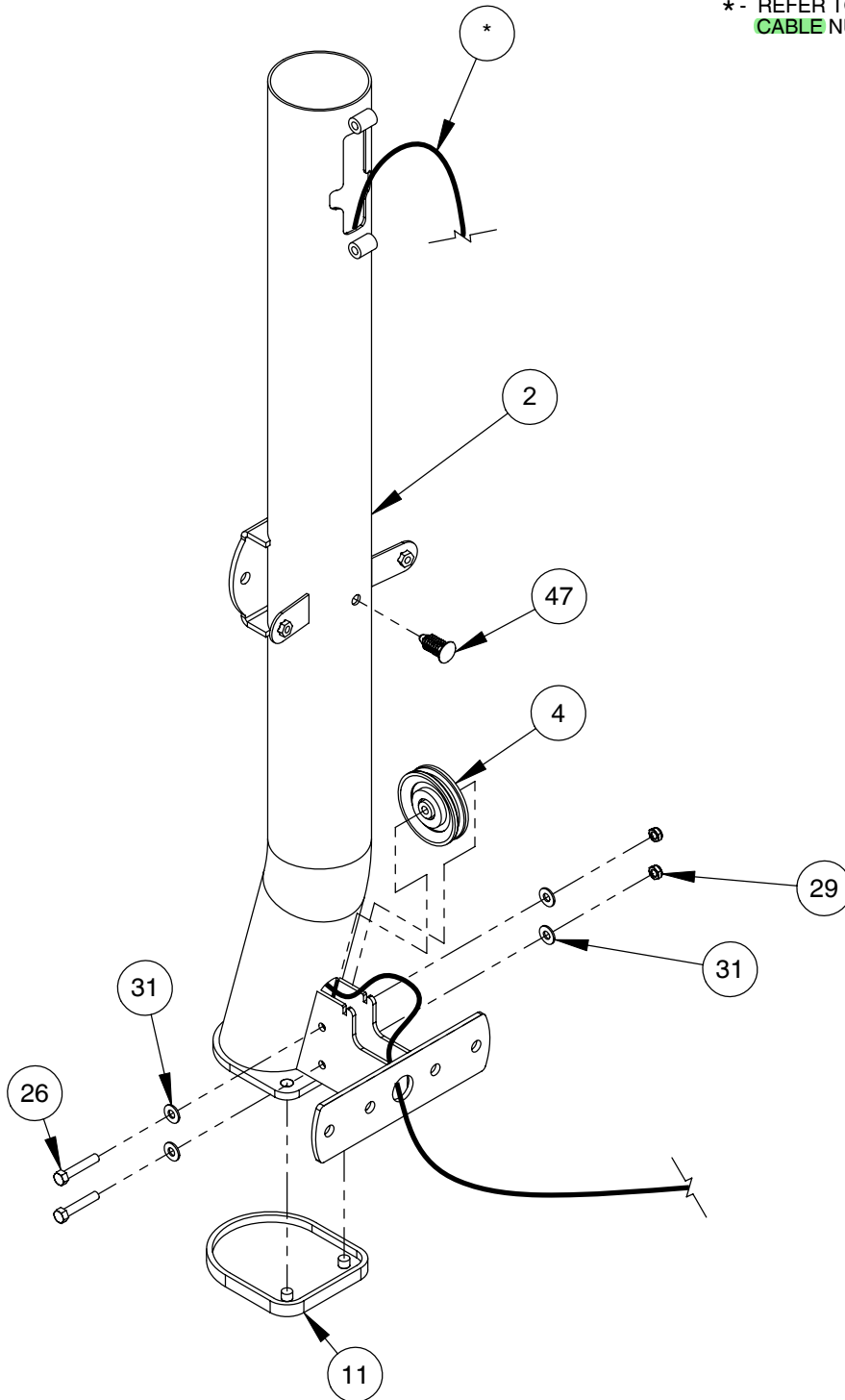
OWNER'S MANUAL

FRAME ASSEMBLY

NOTE:

- HAND TIGHTEN HARDWARE.
- INSTALL **CABLE** AND PULLEYS AT THE SAME TIME.

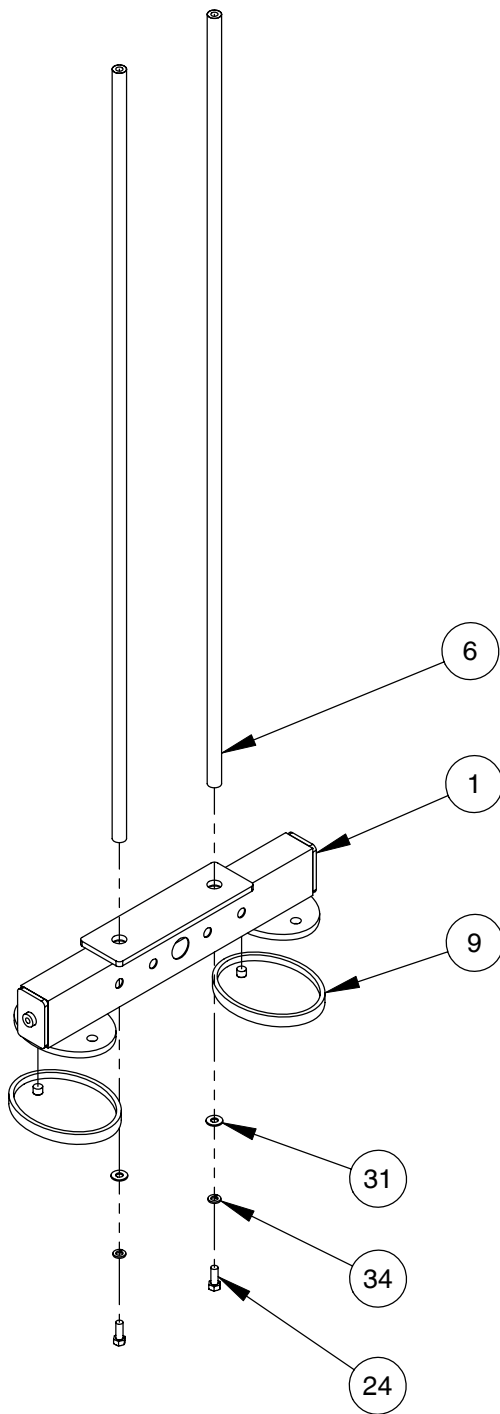
* - REFER TO MACHINE MANUAL FOR **CABLE** NUMBER AND LENGTH.



OWNER'S MANUAL

FRAME ASSEMBLY

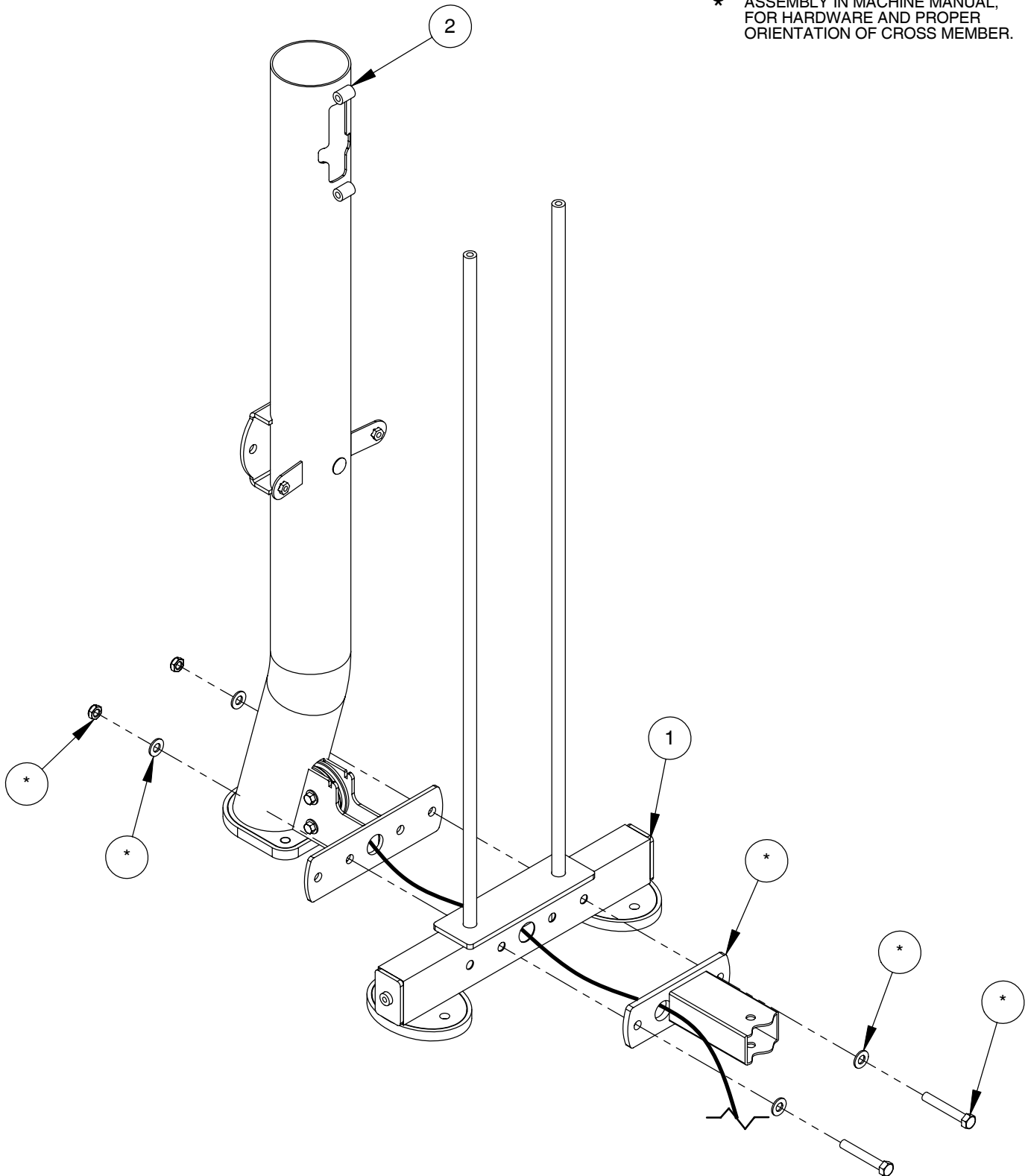
- NOTES:
- WRENCH TIGHTEN HARDWARE.
- SOME PARTS MAY HAVE BEEN
REMOVED FOR CLARITY.



OWNER'S MANUAL

FRAME ASSEMBLY

- NOTES:
- REFERENCE FIRST STEP OF FRAME
* ASSEMBLY IN MACHINE MANUAL,
FOR HARDWARE AND PROPER
ORIENTATION OF CROSS MEMBER.



OWNER'S MANUAL

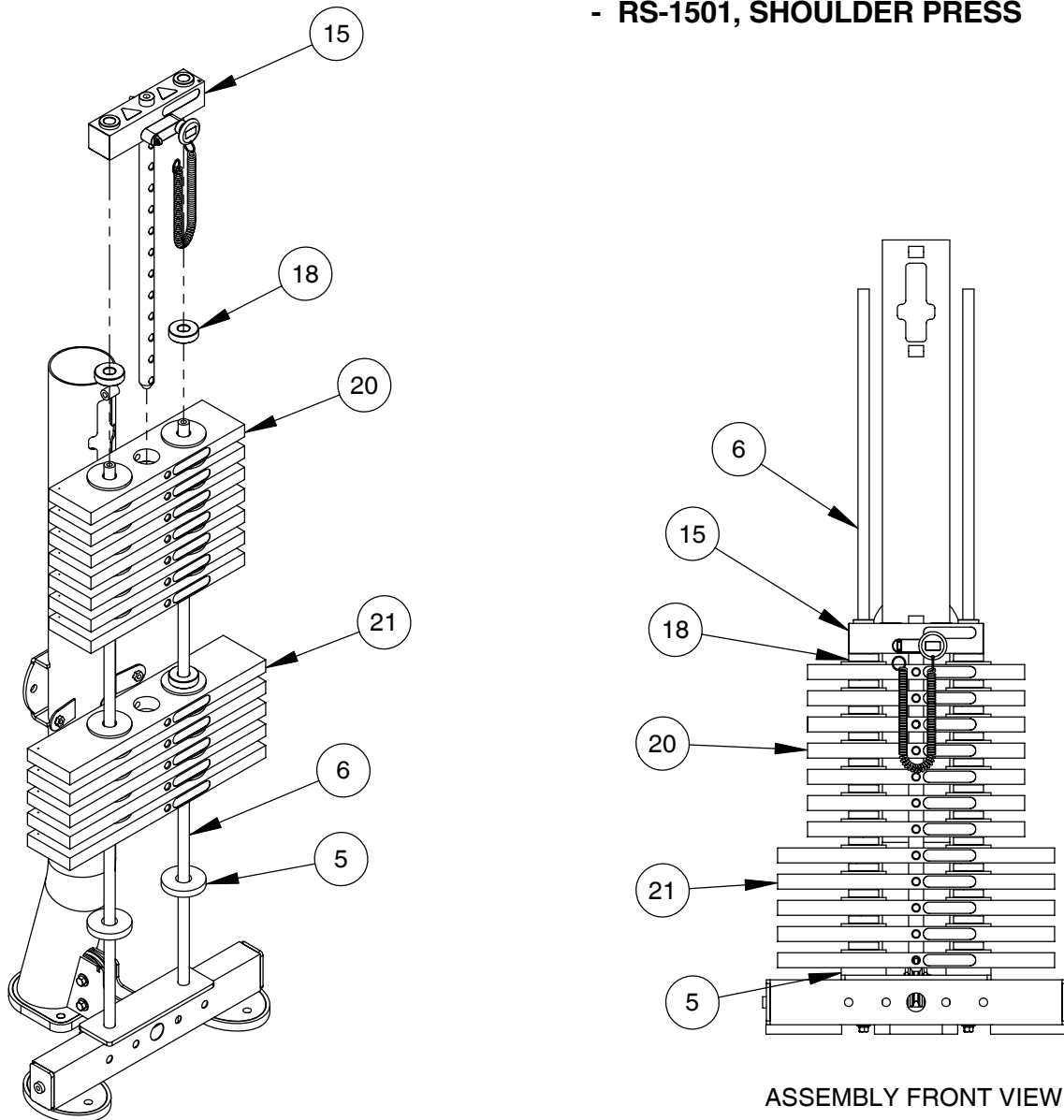
FRAME ASSEMBLY CIRCUIT WEIGHT STACK #1

| ITEM NO. | PART NUMBER | DESCRIPTION | QTY. |
|----------|--------------|--|------|
| 5 | 019-0001006 | Ø3.00" X .50" THICK RUBBER DONUT BLACK | 2 |
| 6 | 026-01G0193 | GUIDE ROD Ø.750" X 49.078" LG. | 2 |
| 15 | 026-01X2872 | 8 LB TOP WEIGHT PLATE ASSEMBLY | 1 |
| 18 | 026-01PL0348 | WEIGHT PLATE SPACER .563" THICK | 24 |
| 20 | 026-01W0312 | 15 LB INTERMEDIATE WEIGHT PLATE | 7 |
| 21 | 026-01W0315 | 20 LB INTERMEDIATE WEIGHT PLATE | 5 |

NOTE:

- THE FOLLOWING MACHINES USE
THIS WEIGHT PLATE ARRANGEMENT:

- RS-1501, SHOULDER PRESS



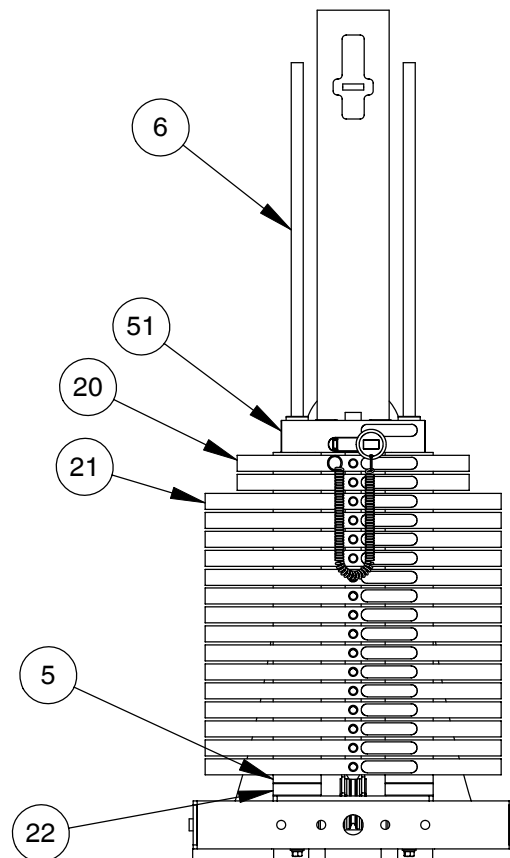
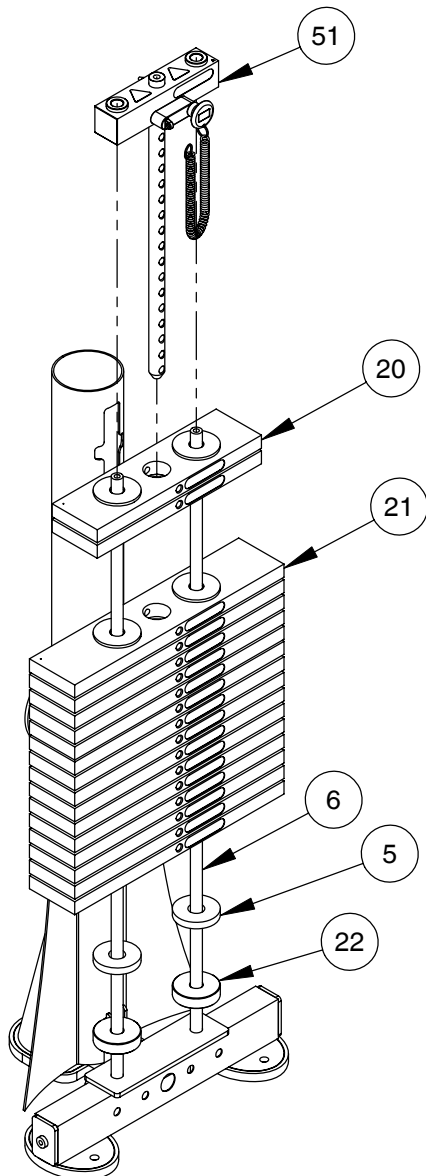
OWNER'S MANUAL

FRAME ASSEMBLY COMPETITION WEIGHT STACK #1

| ITEM NO. | PART NUMBER | DESCRIPTION | QTY. |
|----------|--------------|--|------|
| 5 | 019-0001006 | THICK RUBBER DONUT ϕ 3.00" X .50" BLACK | 2 |
| 6 | 026-01G0193 | GUIDE ROD ϕ .750" X 49.078" LG. | 2 |
| 20 | 026-01W0312 | 15 LB INTERMEDIATE WEIGHT PLATE | 2 |
| 21 | 026-01W0315 | 20 LB INTERMEDIATE WEIGHT PLATE | 15 |
| 22 | 026-01PL2176 | ϕ 3.00" OD X ϕ .781" ID X .813" THICK SPACER | 2 |
| 51 | 026-01X3137 | 8 LB TOP WEIGHT PLATE ASSEMBLY W/ 18 HOLE STEM | 1 |

NOTE:
- THE FOLLOWING MACHINES USE
THIS WEIGHT PLATE ARRANGEMENT:

- RS-1501, SHOULDER PRESS



ASSEMBLY FRONT VIEW

OWNER'S MANUAL

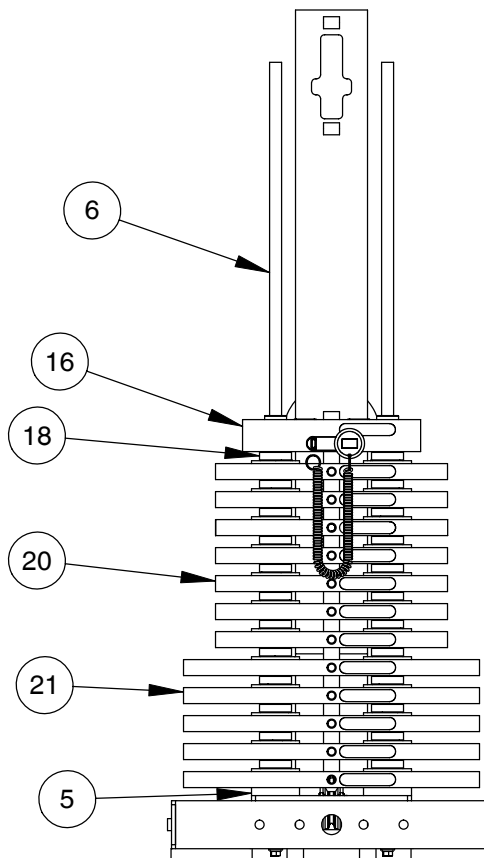
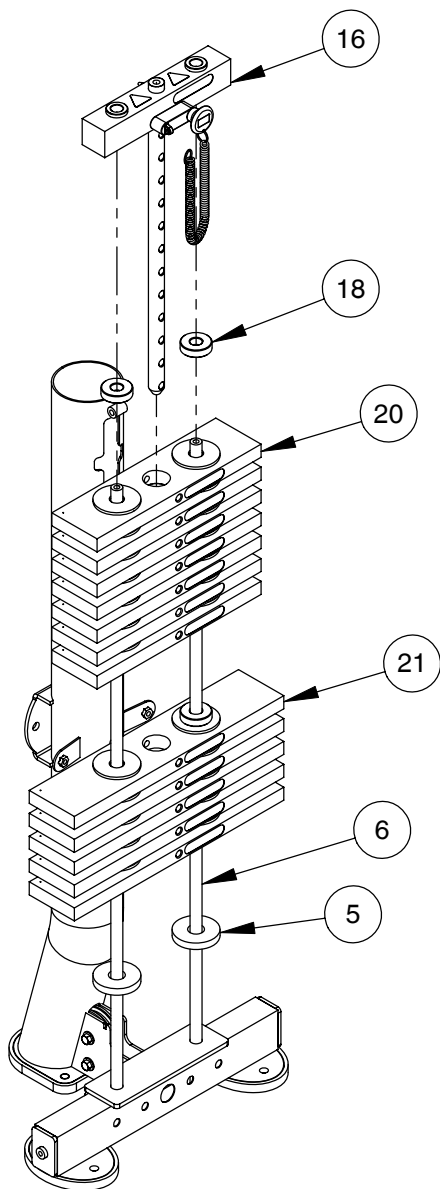
FRAME ASSEMBLY CIRCUIT WEIGHT STACK #2

| ITEM NO. | PART NUMBER | DESCRIPTION | QTY. |
|----------|--------------|--|------|
| 5 | 019-0001006 | THICK RUBBER DONUT ϕ 3.00" X .50" BLACK | 2 |
| 6 | 026-01G0193 | GUIDE ROD ϕ .750" X 49.078" LG. | 2 |
| 16 | 026-01X2873 | 15 LB TOP WEIGHT PLATE ASSEMBLY | 1 |
| 18 | 026-01PL0348 | WEIGHT PLATE SPACER .563" THICK | 24 |
| 20 | 026-01W0312 | 15 LB INTERMEDIATE WEIGHT PLATE | 7 |
| 21 | 026-01W0315 | 20 LB INTERMEDIATE WEIGHT PLATE | 5 |

NOTE:

- THE FOLLOWING MACHINES USE THIS WEIGHT PLATE ARRANGEMENT:

- RS-1101, SEATED DIP
- RS-1102, BICEPS CURL
- RS-1201, PULLDOWN
- RS-1203, SEATED MID-ROW
- RS-1301, CHEST PRESS
- RS-1601, AB



ASSEMBLY FRONT VIEW

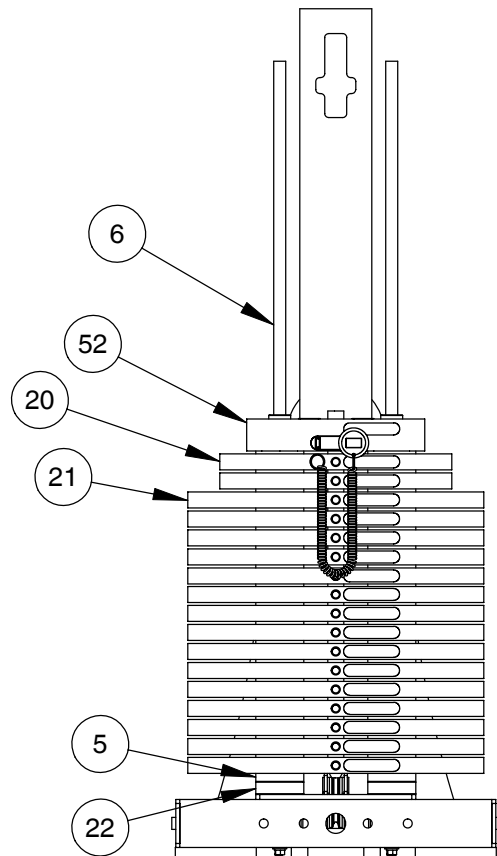
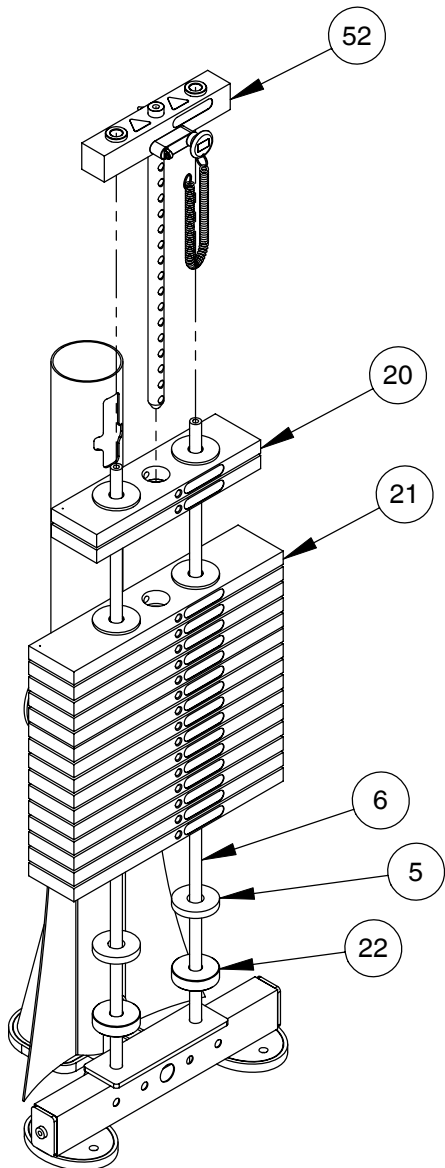
OWNER'S MANUAL

FRAME ASSEMBLY COMPETITION WEIGHT STACK #2

| ITEM NO. | PART NUMBER | DESCRIPTION | QTY. |
|----------|--------------|--|------|
| 5 | 019-0001006 | THICK RUBBER DONUT ϕ 3.00" X .50" BLACK | 2 |
| 6 | 026-01G0193 | GUIDE ROD ϕ .750" X 49.078" LG. | 2 |
| 20 | 026-01W0312 | 15 LB INTERMEDIATE WEIGHT PLATE | 2 |
| 21 | 026-01W0315 | 20 LB INTERMEDIATE WEIGHT PLATE | 15 |
| 22 | 026-01PL2176 | ϕ 3.00" OD X ϕ .781" ID X .813" THICK SPACER | 2 |
| 52 | 026-01X3140 | 15 LB TOP WEIGHT PLATE ASSEMBLY W/ 18 HOLE STEM | 1 |

NOTE:
- THE FOLLOWING MACHINES USE
THIS WEIGHT PLATE ARRANGEMENT:

- RS-1101, SEATED DIP
- RS-1102, BICEPS CURL
- RS-1201, PULLDOWN
- RS-1203, SEATED MID-ROW
- RS-1301, CHEST PRESS
- RS-1601, AB



ASSEMBLY FRONT VIEW

OWNER'S MANUAL

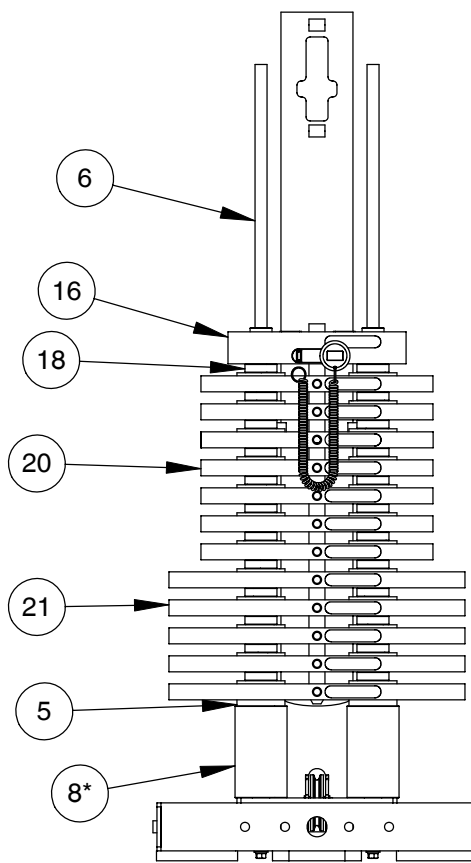
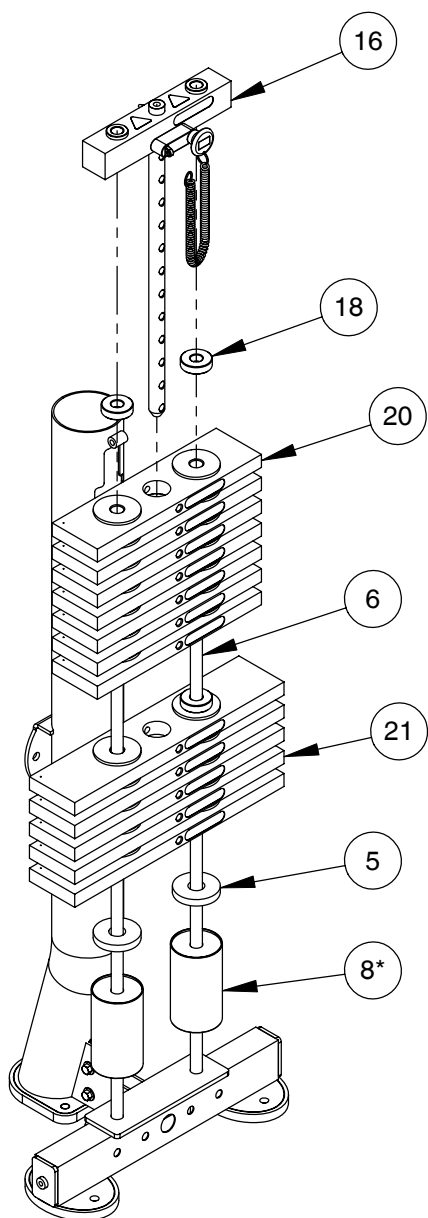
FRAME ASSEMBLY CIRCUIT WEIGHT STACK #2 WITH STAND OFFS

| ITEM NO. | PART NUMBER | DESCRIPTION | QTY. |
|----------|--------------|--|------|
| 5 | 019-0001006 | THICK RUBBER DONUT ϕ 3.00" X .50" BLACK | 2 |
| 6 | 026-01G0193 | GUIDE ROD ϕ .750" X 49.078" LG. | 2 |
| 8* | 026-01PL0369 | WEIGHT STAND OFF | 2 |
| 16 | 026-01X2873 | 15 LB TOP WEIGHT PLATE ASSEMBLY | 1 |
| 18 | 026-01PL0348 | WEIGHT PLATE SPACER .563" THICK | 24 |
| 20 | 026-01W0312 | 15 LB INTERMEDIATE WEIGHT PLATE | 7 |
| 21 | 026-01W0315 | 20 LB INTERMEDIATE WEIGHT PLATE | 5 |

NOTE:

- * PART FOUND IN MACHINE BOX.
- THE FOLLOWING MACHINES USE THIS WEIGHT PLATE ARRANGEMENT:

- RS-1302, PEC FLY
- RS-1401, LEG EXTENSION



ASSEMBLY FRONT VIEW

OWNER'S MANUAL

FRAME ASSEMBLY

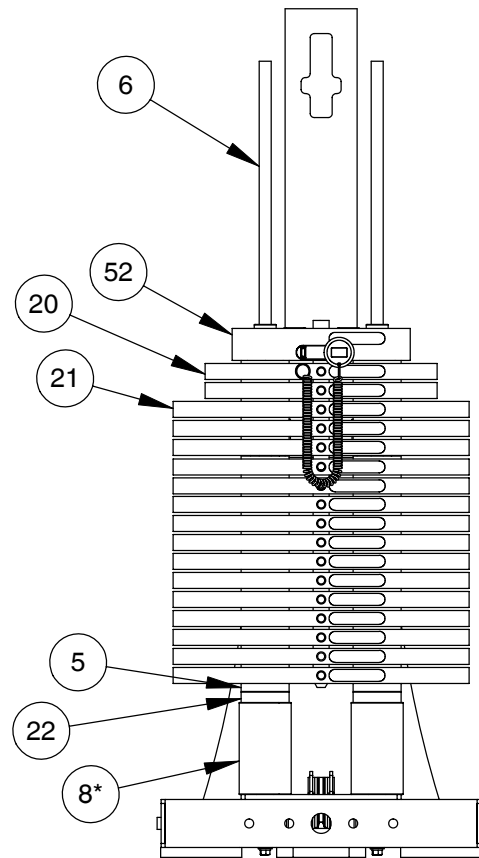
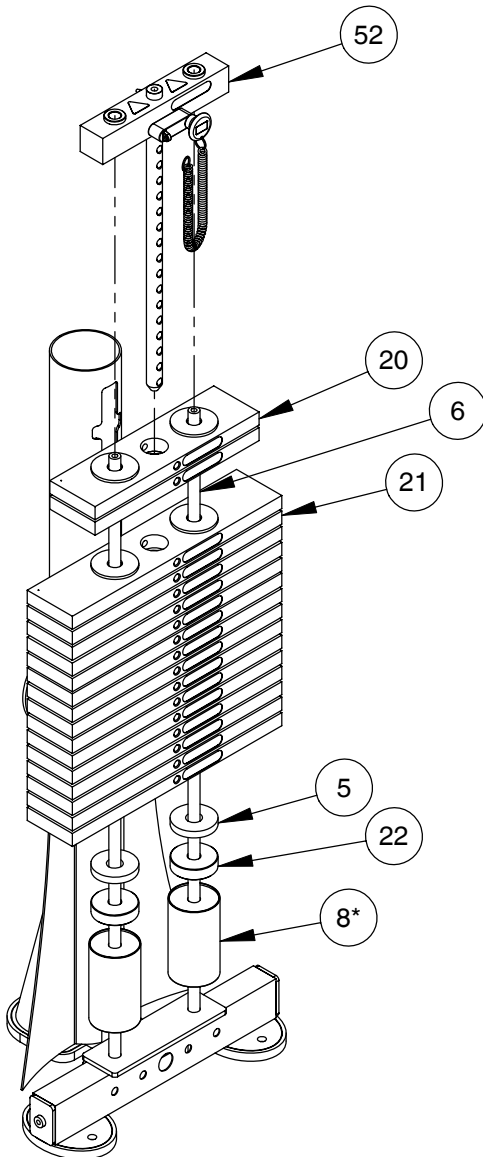
COMPETITION WEIGHT STACK #2 WITH STAND OFFS

| ITEM NO. | PART NUMBER | DESCRIPTION | QTY. |
|----------|--------------|--|------|
| 5 | 019-0001006 | THICK RUBBER DONUT ϕ 3.00" X .50" BLACK | 2 |
| 6 | 026-01G0193 | GUIDE ROD ϕ .750" X 49.078" LG. | 2 |
| 8* | 026-01PL0369 | WEIGHT STAND OFF | 2 |
| 20 | 026-01W0312 | 15 LB INTERMEDIATE WEIGHT PLATE | 2 |
| 21 | 026-01W0315 | 20 LB INTERMEDIATE WEIGHT PLATE | 15 |
| 22 | 026-01PL2176 | ϕ 3.00" OD X ϕ .781" ID X .813" THICK SPACER | 2 |
| 52 | 026-01X3140 | 15 LB TOP WEIGHT PLATE ASSEMBLY W/ 18 HOLE STEM | 1 |

NOTE:

- * PART FOUND IN MACHINE BOX.
- THE FOLLOWING MACHINES USE THIS WEIGHT PLATE ARRANGEMENT:

- RS-1302, PEC FLY
- RS-1401, LEG EXTENSION



ASSEMBLY FRONT VIEW

OWNER'S MANUAL

THIS PAGE WAS INTENTIONALLY LEFT BLANK

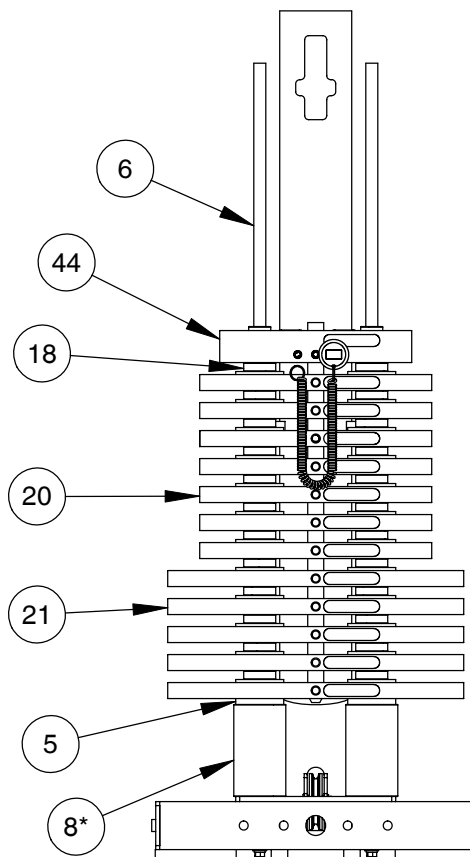
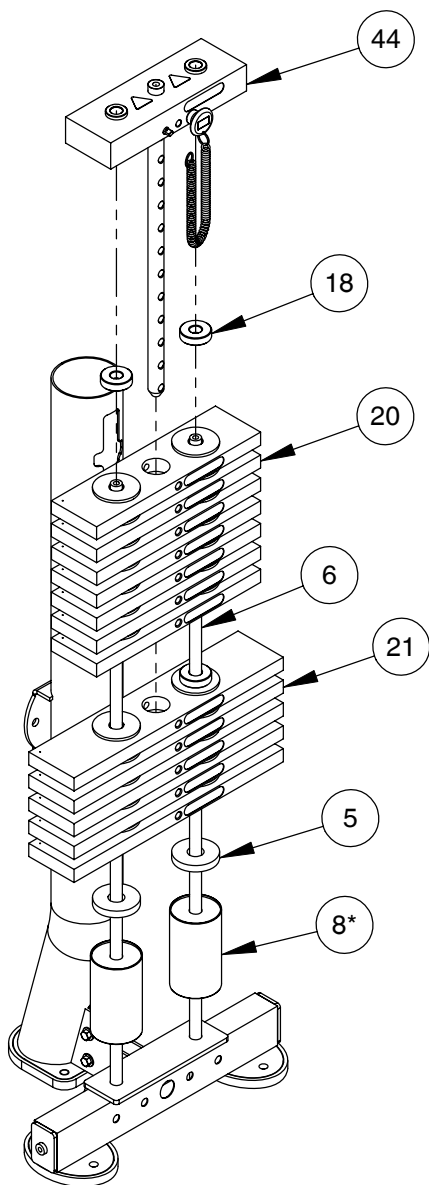
OWNER'S MANUAL

FRAME ASSEMBLY CIRCUIT WEIGHT STACK # 4 WITH STAND OFFS

| ITEM NO. | PART NUMBER | DESCRIPTION | QTY. |
|----------|--------------|---|------|
| 5 | 019-0001006 | Ø 3.00" X .50" THICK RUBBER DONUT BLACK | 2 |
| 6 | 026-01G0193 | GUIDE ROD Ø .750" X 49.078" LG. | 2 |
| 8* | 026-01PL0369 | WEIGHT STAND OFF | 2 |
| 18 | 026-01PL0348 | WEIGHT PLATE SPACER .563" THICK | 24 |
| 20 | 026-01W0312 | 15 LB INTERMEDIATE WEIGHT PLATE | 7 |
| 21 | 026-01W0315 | 20 LB INTERMEDIATE WEIGHT PLATE | 5 |
| 44 | 026-01X3036 | 30 LB TOP WEIGHT PLATE ASSEMBLY | 1 |

NOTE:
* PART FOUND IN MACHINE BOX.
- THE FOLLOWING MACHINES USE
THIS WEIGHT PLATE ARRANGEMENT:

- RS-1402, LEG CURL



OWNER'S MANUAL

FRAME ASSEMBLY

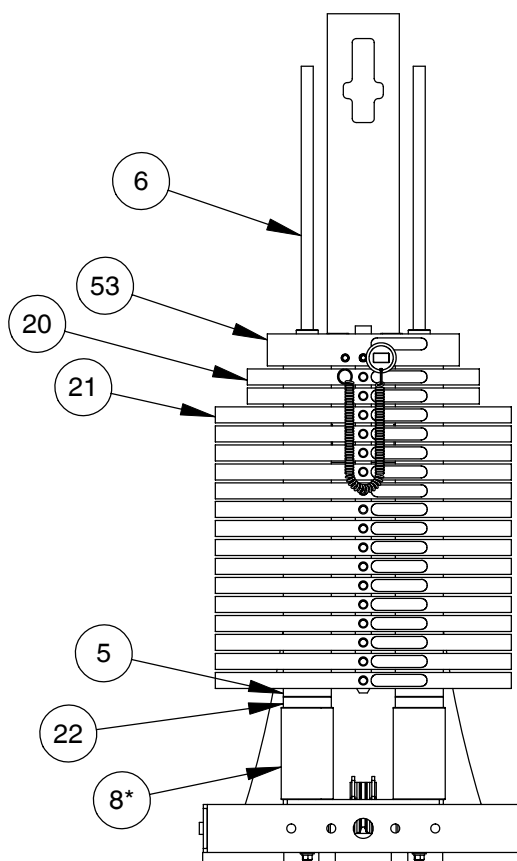
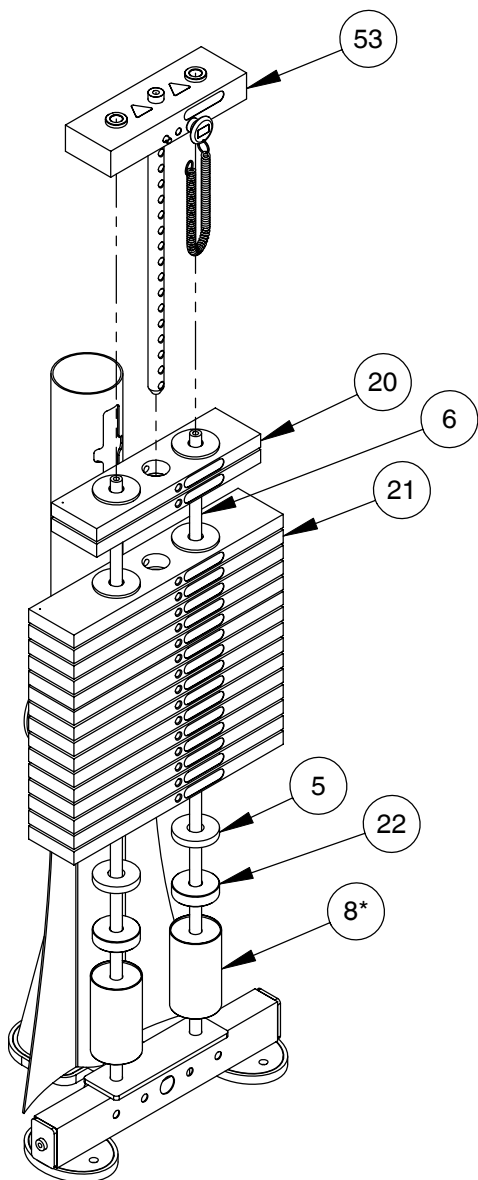
COMPETITION WEIGHT STACK #4 WITH STAND OFFS

| ITEM NO. | PART NUMBER | DESCRIPTION | QTY. |
|----------|--------------|---|------|
| 5 | 019-0001006 | Ø3.00" X .50" THICK RUBBER DONUT BLACK | 2 |
| 6 | 026-01G0193 | GUIDE ROD Ø.750" X 49.078" LG. | 2 |
| 8* | 026-01PL0369 | WEIGHT STAND OFF | 2 |
| 20 | 026-01W0312 | 15 LB INTERMEDIATE WEIGHT PLATE | 2 |
| 21 | 026-01W0315 | 20 LB INTERMEDIATE WEIGHT PLATE | 15 |
| 22 | 026-01PL2176 | Ø3.00" OD X Ø.781" ID X .813" THICK SPACER | 2 |
| 53 | 026-01X3141 | 30 LB TOP WEIGHT PLATE ASSEMBLY W/ 18 HOLE STEM | 1 |

NOTE:

- * PART FOUND IN MACHINE BOX.
- THE FOLLOWING MACHINES USE THIS WEIGHT PLATE ARRANGEMENT:

- RS-1402, LEG CURL



ASSEMBLY FRONT VIEW

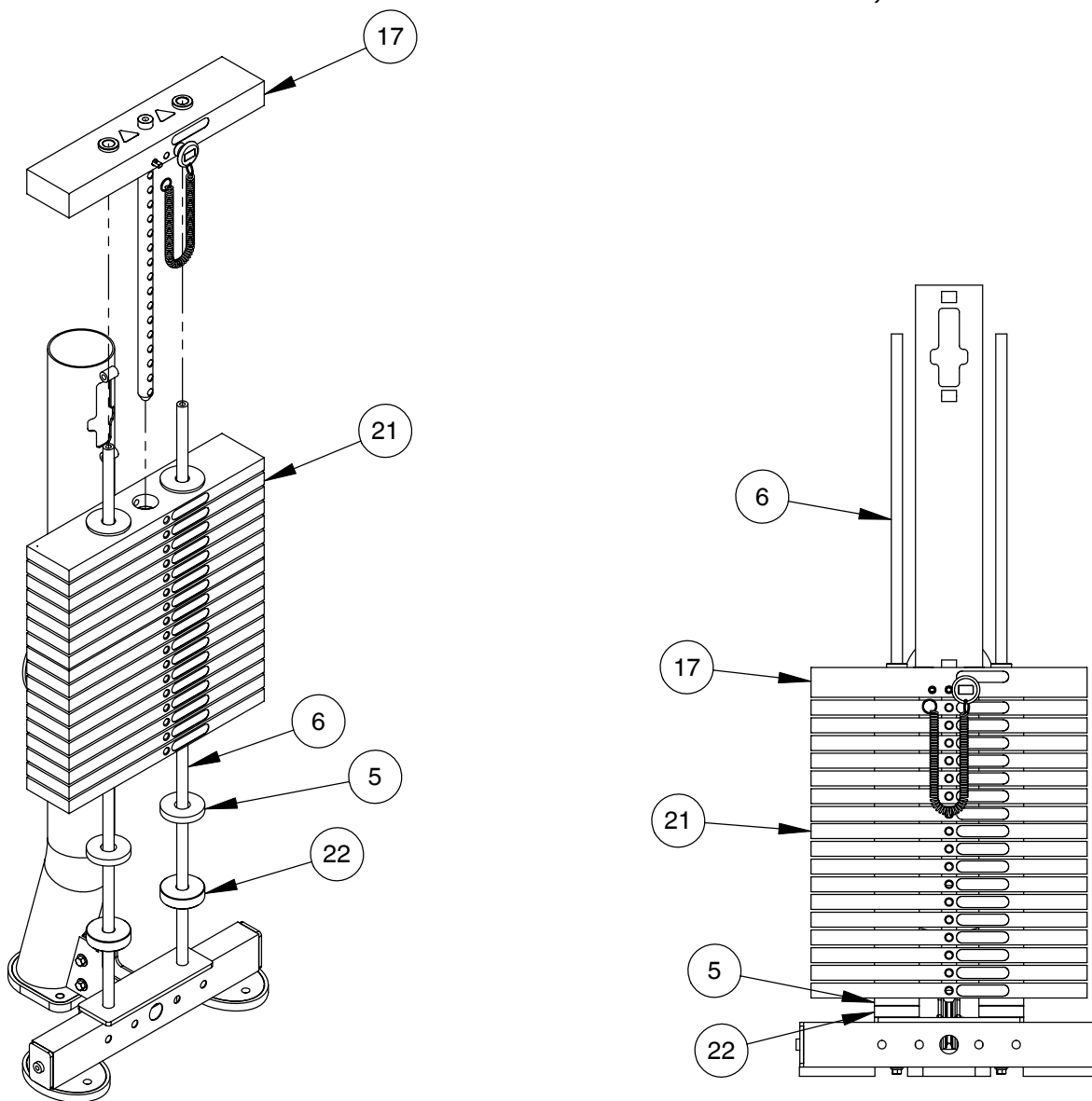
OWNER'S MANUAL

FRAME ASSEMBLY CIRCUIT & COMPETITION WEIGHT STACK # 5

| ITEM NO. | PART NUMBER | DESCRIPTION | QTY. |
|----------|--------------|---|------|
| 5 | 019-0001006 | Ø 3.00" X .50" THICK RUBBER DONUT BLACK | 2 |
| 6 | 026-01G0193 | GUIDE ROD Ø .750" X 49.078" LG. | 2 |
| 17 | 026-01X2874 | 40 LB TOP WEIGHT PLATE ASSEMBLY W/ 18 HOLE STEM | 1 |
| 21 | 026-01W0315 | 20 LB INTERMEDIATE WEIGHT PLATE | 17 |
| 22 | 026-01PL2176 | Ø 3.00" OD X Ø .781" ID X .813" THICK SPACER | 2 |

NOTE:
- THE FOLLOWING MACHINES USE
THIS WEIGHT PLATE ARRANGEMENT:

- RS-1403, LEG PRESS

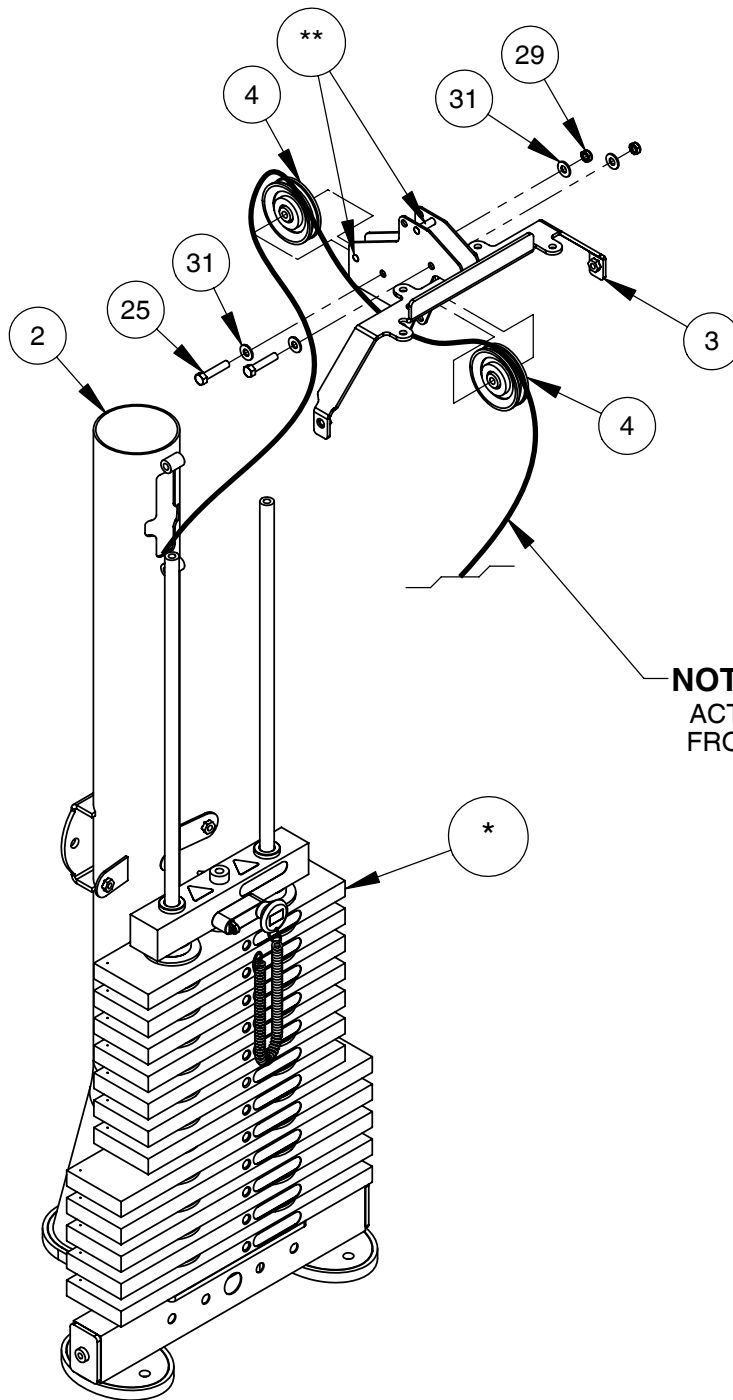


OWNER'S MANUAL

THIS PAGE WAS INTENTIONALLY LEFT BLANK

OWNER'S MANUAL

FRAME ASSEMBLY



NOTE:

- WRENCH TIGHTEN HARDWARE.
- SOME PARTS MAY HAVE BEEN REMOVED FOR CLARITY.
- INSTALL **CABLE** AND PULLEYS AT THE SAME TIME.

*- ACTUAL WEIGHT STACK MAY VARY. REFER TO PAGE O4.

** - BE SURE **CABLE** RUNS BETWEEN THE PULLEYS AND THE GUARD PIN.

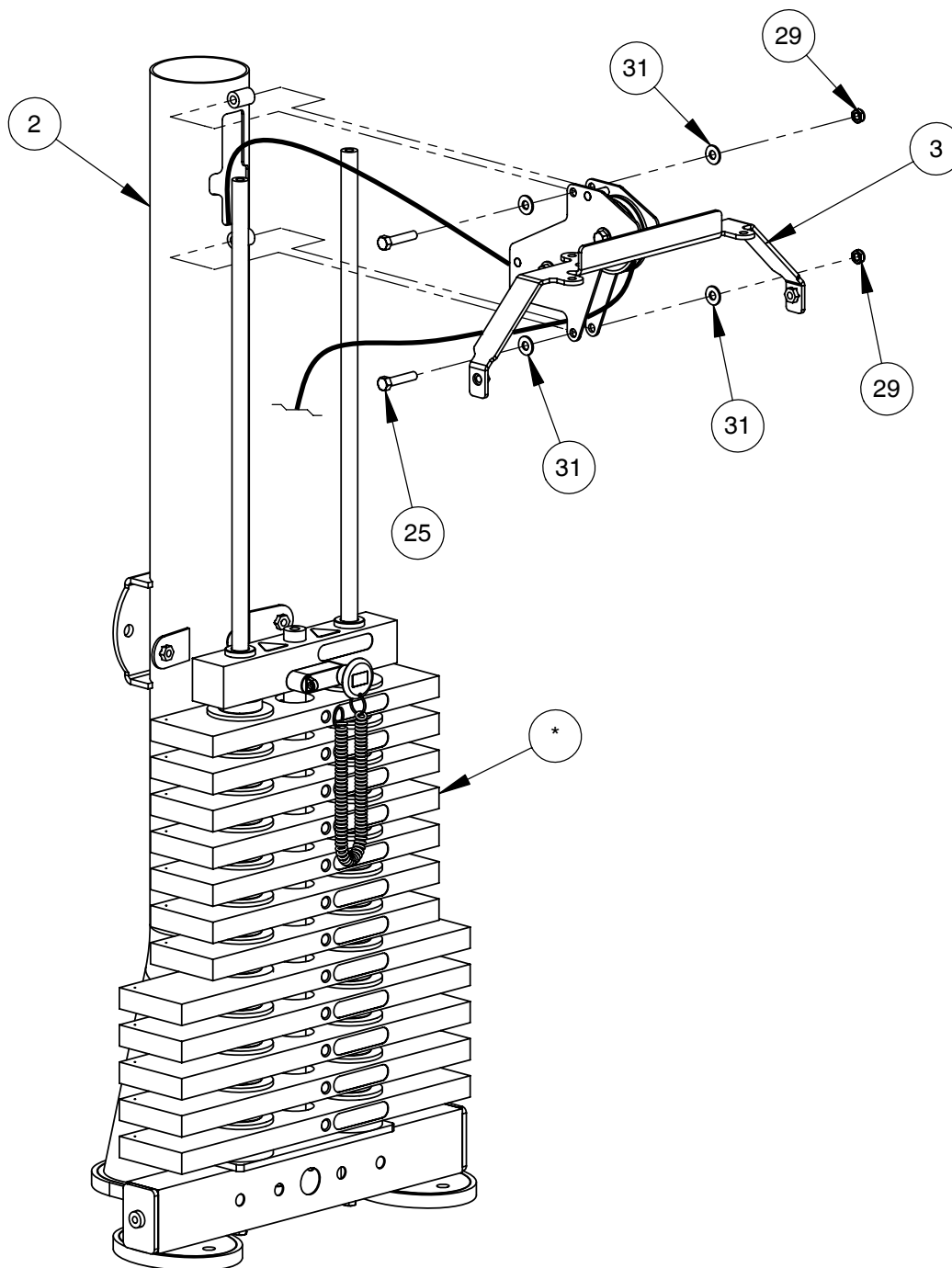
NOTICE:

ACTUAL **CABLE** WILL COME FROM MACHINE BOX.

OWNER'S MANUAL

FRAME ASSEMBLY

NOTE:
- WRENCH TIGHTEN HARDWARE.
* - ACTUAL WEIGHT STACK MAY VARY.
REFER TO PAGE 04.

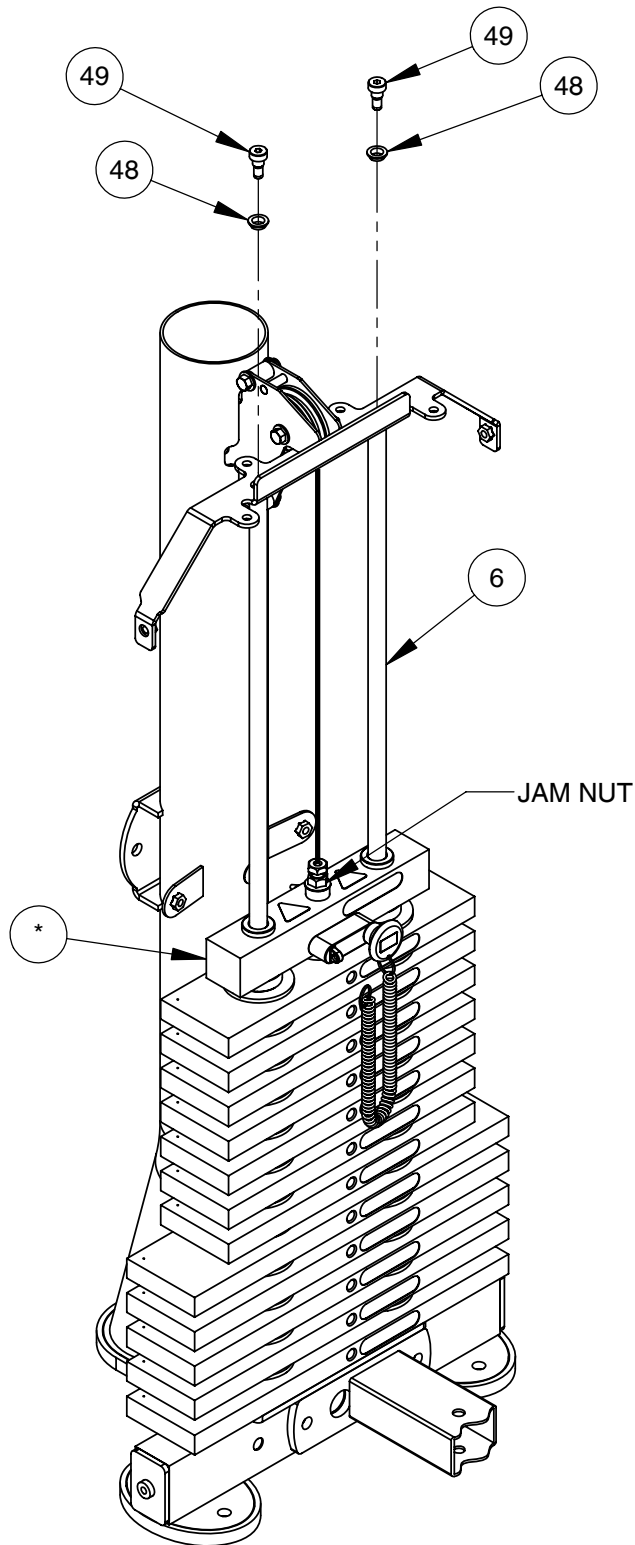


OWNER'S MANUAL

FRAME ASSEMBLY

NOTE:

- WRENCH TIGHTEN HARDWARE.
- * - ACTUAL WEIGHT STACK AND **CABLE** MAY VARY. REFER TO MACHINE MANUAL FOR CORRECT ITEMS.



FINE TUNING:

LOOSEN JAM NUT AND THREAD BOLT IN/OUT TO GIVE THE **CABLE** PROPER TENSION. RE-TIGHTEN JAM NUT.

WARNING - **CABLE BOLT MUST BE THREADED A MINIMUM OF 3/8" WITH JAM NUT TIGHTENED SECURELY TO ENSURE PROPER CONNECTION.**

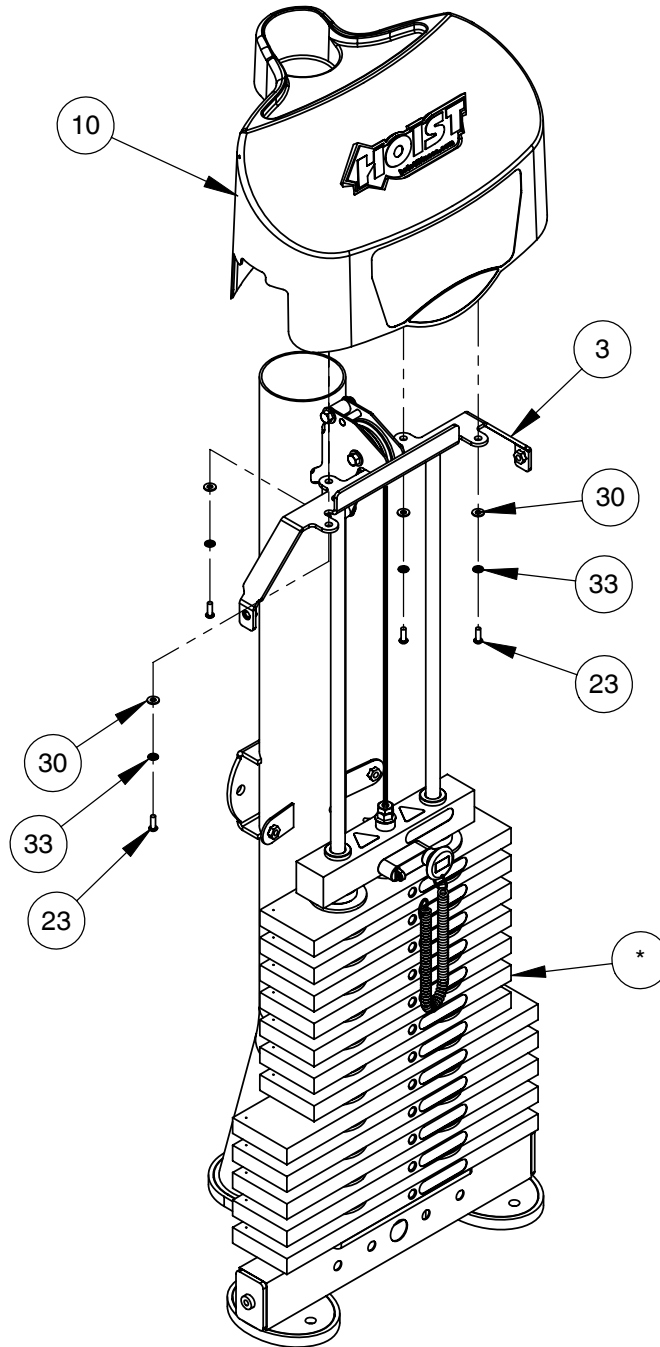
STOP!

PRIOR TO COMPLETING WEIGHT CAGE ASSEMBLY, REFER TO MACHINE MANUAL FOR MACHINE ASSEMBLY.

OWNER'S MANUAL

FRAME ASSEMBLY

NOTE:
- WRENCH TIGHTEN HARDWARE.
* - ACTUAL WEIGHT STACK AND **CABLE** MAY VARY. REFER TO MACHINE MANUAL FOR CORRECT ITEMS.

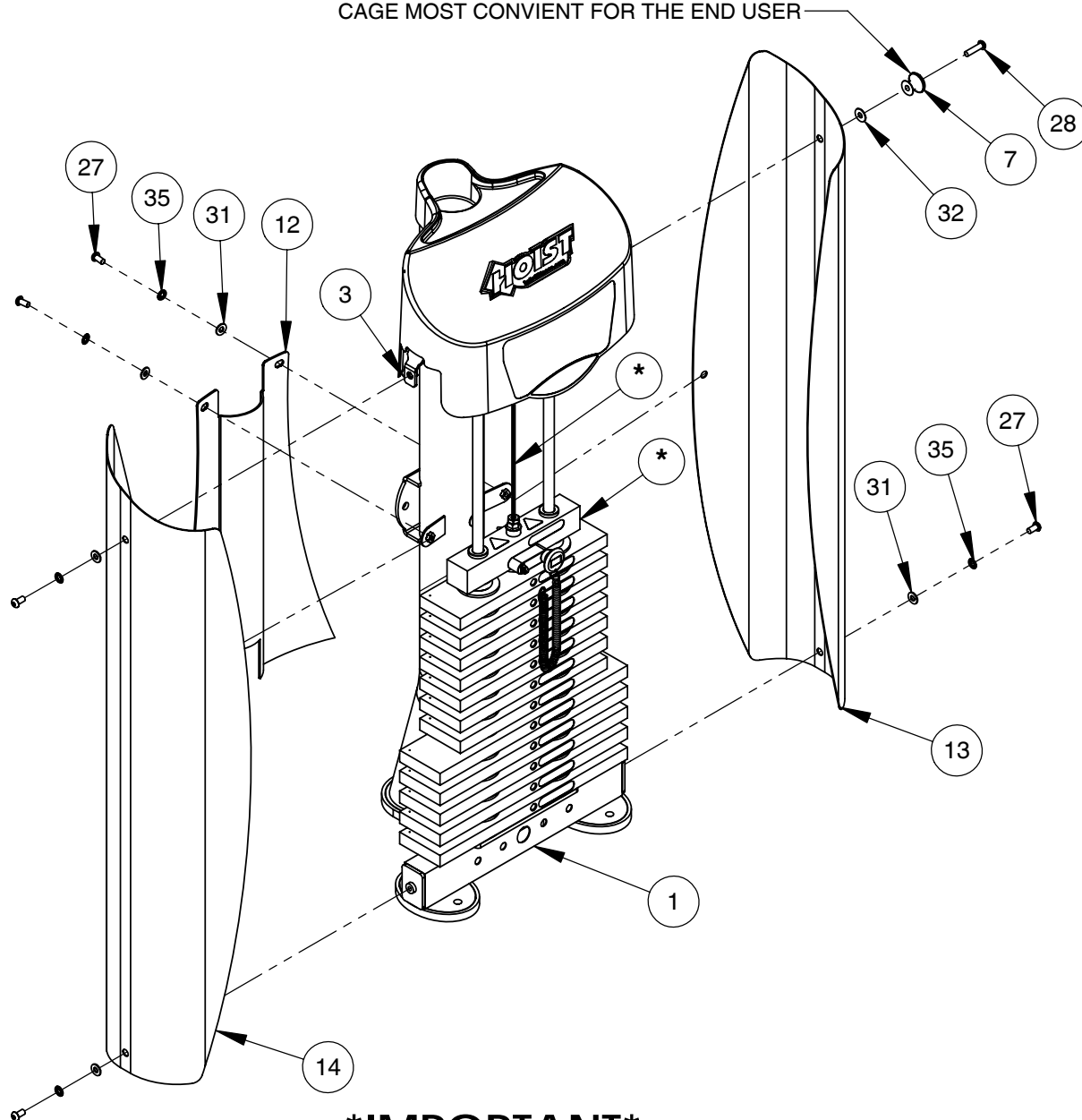


OWNER'S MANUAL

FRAME ASSEMBLY

- NOTES:
- WRENCH TIGHTEN HARDWARE.
* - ACTUAL WEIGHT STACK AND **CABLE** MAY VARY. REFER TO MACHINE MANUAL FOR CORRECT ITEMS.

HOIST RECOMENDS THE TOWEL HANGER BE INSTALLED ON THE SIDE OF THE WEIGHT CAGE MOST CONVIENT FOR THE END USER

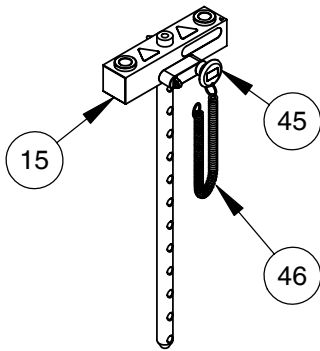


IMPORTANT

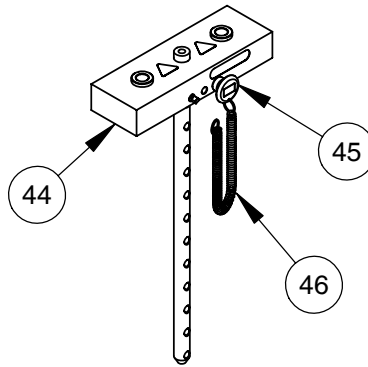
NOW THAT THE ROC-IT WEIGHT CAGE IS COMPLETELY ASSEMBLED, TAKE TIME TO ENSURE THAT YOUR UNIT IS ASSEMBLED SQUARE AND PERPENDICULAR. USE A LEVEL TO CHECK THAT THE GUIDE RODS ARE PERPENDICULAR IN BOTH DIRECTIONS. IF THEY ARE NOT PERPENDICULAR IN BOTH DIRECTIONS, IT WILL BE NECESSARY TO LOOSEN SOME FRAME HARDWARE TO RE-ALIGN THE FRAME AND RETIGHTEN BOLTS.

OWNER'S MANUAL

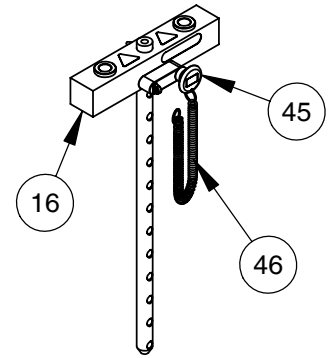
PRE-ASSEMBLY



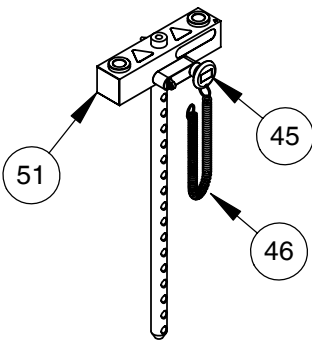
WEIGHT PLATE ASSEMBLY USED ON:
 - RS-1301, CHEST PRESS (CIRCUIT)
 - RS-1501, SHOULDER PRESS (CIRCUIT)



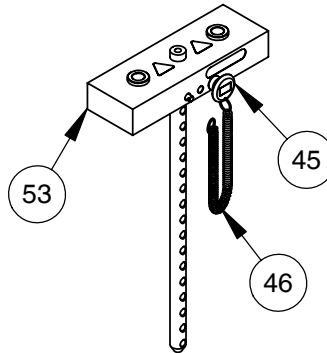
WEIGHT PLATE ASSEMBLY USED ON:
 - RS-1402, LEG CURL (CIRCUIT)



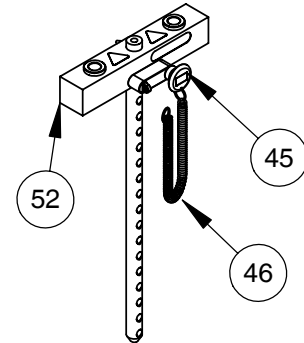
WEIGHT PLATE ASSEMBLY USED ON:
 - RS-1101, SEATED DIP (CIRCUIT)
 - RS-1102, BICEPS CURL (CIRCUIT)
 - RS-1201, LAT PULLDOWN (CIRCUIT)
 - RS-1203, SEATED MID ROW (CIRCUIT)
 - RS-1401, LEG EXTENSION (CIRCUIT)



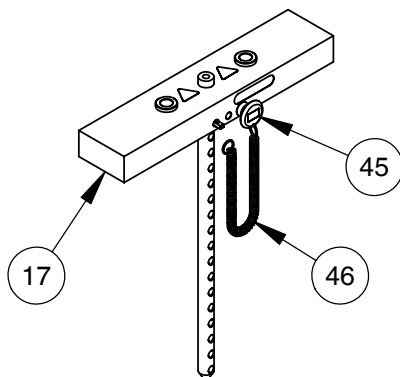
WEIGHT PLATE ASSEMBLY USED ON:
 - RS-1301, CHEST PRESS (COMPETITION)
 - RS-1501, SHOULDER PRESS (COMPETITION)



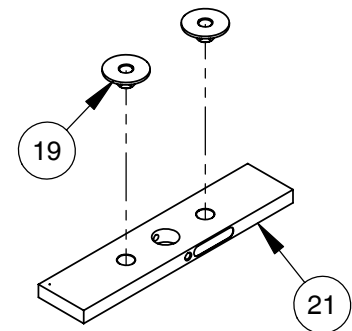
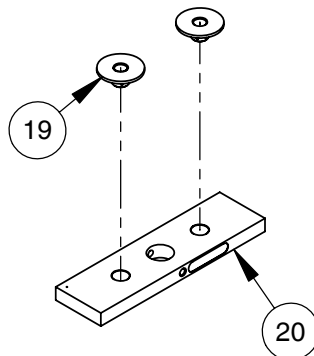
WEIGHT PLATE ASSEMBLY USED ON:
 - RS-1402, LEG CURL (COMPETITION)



WEIGHT PLATE ASSEMBLY USED ON:
 - RS-1101, SEATED DIP (COMPETITION)
 - RS-1102, BICEPS CURL (COMPETITION)
 - RS-1201, LAT PULLDOWN (COMPETITION)
 - RS-1203, SEATED MID ROW (COMPETITION)
 - RS-1401, LEG EXTENSION (COMPETITION)



WEIGHT PLATE ASSEMBLY USED ON:
 - RS-1403, LEG PRESS (CIRCUIT) / (COMPETITION)



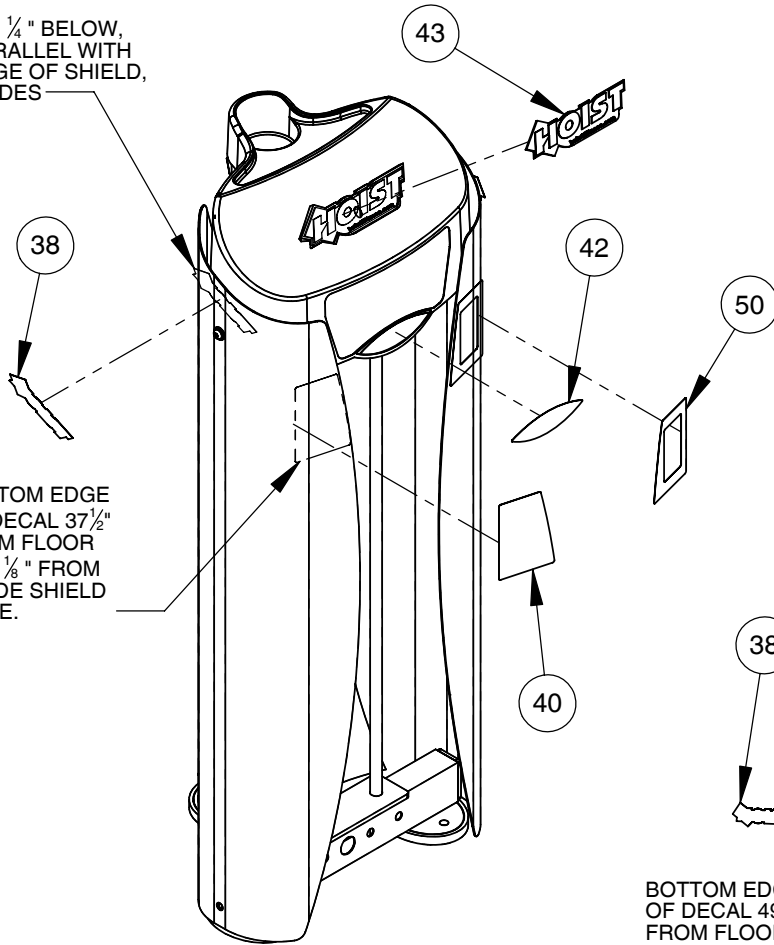
OWNER'S MANUAL

DECAL PLACEMENT

- NOTES:
- ALL DECALS ARE CENTERED UNLESS OTHERWISE STATED.
- SOME PARTS MAY HAVE BEEN REMOVED FOR CLARITY.

SPACED $\frac{1}{4}$ " BELOW, AND PARALLEL WITH TOP EDGE OF SHIELD, BOTH SIDES

BOTTOM EDGE OF DECAL $37\frac{1}{2}$ " FROM FLOOR AND $\frac{1}{8}$ " FROM INSIDE SHIELD EDGE.

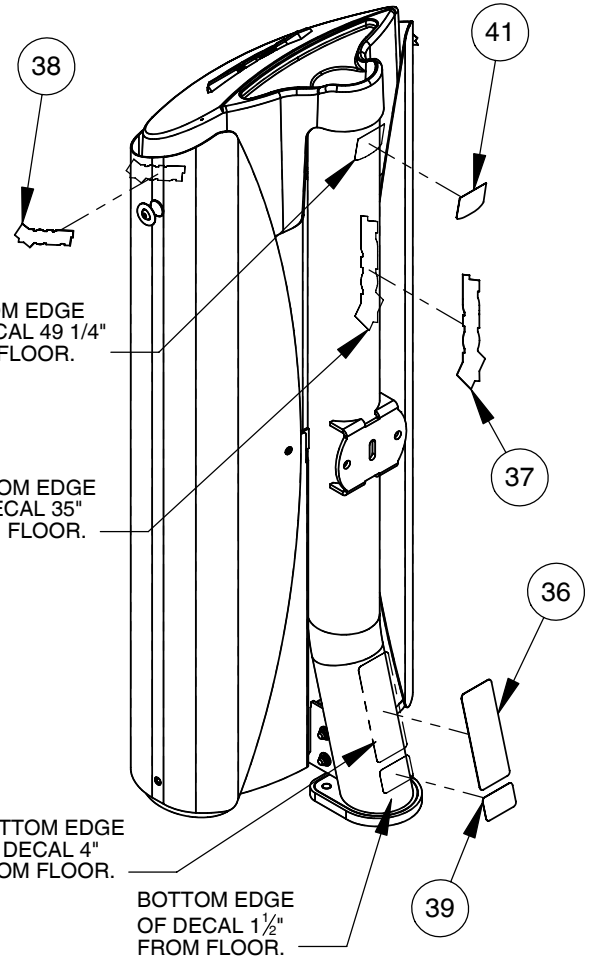


BOTTOM EDGE OF DECAL $49\frac{1}{4}$ " FROM FLOOR.

BOTTOM EDGE OF DECAL 35" FROM FLOOR.

BOTTOM EDGE OF DECAL 4" FROM FLOOR.

BOTTOM EDGE OF DECAL $1\frac{1}{2}$ " FROM FLOOR.



OWNER'S MANUAL

DECAL REFERENCE



021-0018022



021-0003221



021-0003230

| COMMERCIAL MAINTENANCE | Daily | Weekly | Monthly | 6 Months | Yearly |
|---|-------|--------|---------|----------|--------|
| Inspect: Links, Pull Pins, Snap Locks, Swivels, Weight Stack Pins | X | | | | |
| Clean: Upholstery | X | | | | |
| Inspect: Cables or Belts and their tension | X | | | | |
| Inspect: Accessory Bars and Handles | | X | | | |
| Inspect: All Decals | | X | | | |
| Inspect: All Nuts and Bolts, Tighten if Needed | | X | | | |
| Inspect: Anti-Skid Surfaces | | X | | | |
| Clean & Lubricate; Guide Rods with a Teflon (PTFE) based lubricant (Superlube) | | | X | | |
| Lubricate; Seat Slides, Trolley Bushings, Linear Bearings | | | X | | |
| Clean and Wax; All Glossy Finishes | | | | X | |
| Repack with Grease; Linear Bearings | | | | X | |
| Replace; Cables, Belts and Connecting Parts | | | | | X |

021-0003573

(LOGO DECAL)
PLEASE CALL HOIST FOR PERSONALIZED
LOGO DECAL PURCHASING INFORMATION

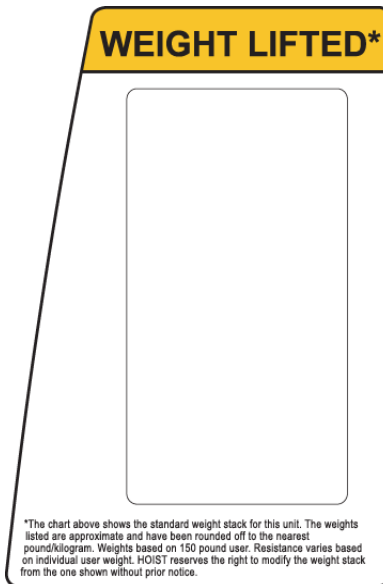
021-0003552



021-0003405



SERIAL # DECAL



*The chart above shows the standard weight stack for this unit. The weights listed are approximate and have been rounded off to the nearest pound/kilogram. Weights based on 150 pound user. Resistance varies based on individual user weight. HOIST reserves the right to modify the weight stack from the one shown without prior notice.

021-0003571



021-0003344

OWNER'S MANUAL

PART LIST

NOTE: SOME OF THESE PARTS MAY COME PRE-INSTALLED, AND ACTUAL WEIGHT STACK COUNT MAY VARY. REFER TO MACHINE MANUAL FOR CORRECT QUANTITY.

| ITEM NO. | PART NUMBER | DESCRIPTION | QTY. |
|----------|----------------|--|------|
| 1 | 026-01X2378 | BOTTOM GUIDE ROD MOUNT | 1 |
| 2 | 026-01X2411 | BACK BONE ASSEMBLY | 1 |
| 3 | 026-01X2453 | TOP GUIDE ROD MOUNT | 1 |
| 4 | 018-0001002 | CABLE PULLEY: ϕ 3.50" | 3 |
| 5 | 019-0001006 | THICK RUBBER DONUT ϕ 3.00" X .50" BLACK | 2 |
| 6 | 026-01G0193 | GUIDE ROD ϕ .750" X 49.078" LG. | 2 |
| 7 | 026-01M1013 | ϕ 1.50" TOWEL HANGER | 1 |
| 8 | 026-01PL0369 | WEIGHT STAND OFF | 2 |
| 9 | 026-01PL2122 | OVAL-SHAPED RUBBER FOOT | 2 |
| 10 | 026-01PL2127 | TOP CAP | 1 |
| 11 | 026-01PL2131 | D-SHAPED RUBBER FOOT | 1 |
| 12 | 026-01PL2153 | PLASTIC SHIELD | 1 |
| 13 | 026-1100212 | SHIELD - RIGHT | 1 |
| 14 | 026-1100213 | SHIELD - LEFT | 1 |
| 15 | 026-01X2872 | 8 LB TOP WEIGHT PLATE ASSEMBLY | 1 |
| 16 | 026-01X2873 | 15 LB TOP WEIGHT PLATE ASSEMBLY | 1 |
| 17 | 026-01X2874 | 40 LB TOP WEIGHT PLATE ASSEMBLY W/ 18 HOLE STEM | 1 |
| 18 | 026-01PL0348 | WEIGHT PLATE SPACER .563" THICK | 24 |
| 19 | 026-01W0122 | WEIGHT PLATE BUSHING | 24 |
| 20 | 026-01W0312 | 15 LB INTERMEDIATE WEIGHT PLATE | 7 |
| 21 | 026-01W0315 | 20 LB INTERMEDIATE WEIGHT PLATE | 17 |
| 22 | 026-01PL2176 | ϕ 3.00" OD X ϕ .781" ID X .813" THICK SPACER | 2 |
| 23 | 011-0101121 | 1/4"-20UNC X.75" BHCS (WZ) w/ NYLON PATCH | 4 |
| 24 | 011-0407022 | 3/8"-16UNC X 1.00" HHB (WZ) | 2 |
| 25 | 011-0407027 | 3/8"-16UNC X 1.75" HHB (WZ) | 4 |
| 26 | 011-0407058 | 3/8"-16UNC X 2.00" HHB (WZ) | 2 |
| 27 | 011-0101041 | 3/8"-16UNC X .75" BHCS (WZ) | 5 |
| 28 | 011-0101027 | 3/8"-16UNC X 1.50" BHCS (WZ) | 1 |
| 29 | 012-0104008 | 3/8"-16 UNC THIN NYLOCK NUT (WZ) | 6 |
| 30 | 013-0002003 | 1/4" X 16mm SAE FLAT WASHER (WZ) | 4 |
| 31 | 013-0402007 | 3/8" X 22mm FLAT WASHER (WZ) | 19 |
| 32 | 013-0702001 | NYLON WASHER .38" I.D. X 1.00" O.D. X .06" THK | 1 |
| 33 | 013-0102023 | 1/4" INTERNAL LOCK WASHER | 4 |
| 34 | 013-0102020 | 3/8" SPLIT LOCK WASHER (WZ) | 2 |
| 35 | 013-0102022 | 3/8" INTERNAL LOCK WASHER | 5 |
| 36 | 021-0003573 | COMMERCIAL MAINTENANCE DECAL | 1 |
| 37 | 021-0003221 | DECAL HOIST 2.50" X 9.13" | 1 |
| 38 | 021-0003230 | DECAL HOIST 1.63" X 5.93" | 2 |
| 39 | SERIAL # DECAL | DECAL SERIAL # 1.63" X 2.63" | 1 |
| 40 | 021-0003344 | ROC-IT WARNING DECAL | 1 |
| 41 | 021-0003405 | DECAL ROX | 1 |
| 42 | 021-0003552 | ROC-IT DOMED DECAL | 1 |
| 43 | 021-0018022 | DECAL HOISTFITNESS.COM LOGO | 1 |
| 44 | 026-01X3036 | 30 LB TOP WEIGHT PLATE ASSEMBLY | 1 |
| 45 | 026-01X2856 | WEIGHT SELECTOR PIN | 1 |
| 46 | 010-0008001 | LANYARD COIL | 1 |
| 47 | 026-01PL2200 | PINETREE PLUG | 1 |
| 48 | 026-01PL2201 | PLASTIC SLEEVE ϕ .75" O.D. | 2 |
| 49 | 011-0112023 | .473" X .281" SHSS (WZ) | 2 |
| 50 | 021-0003571 | ROC-IT RATIO DECAL | 1 |
| 51 | 026-01X3137 | 8 LB TOP WEIGHT PLATE ASSEMBLY W/ 18 HOLE STEM | 1 |
| 52 | 026-01X3140 | 15 LB TOP WEIGHT PLATE ASSEMBLY W/ 18 HOLE STEM | 1 |
| 53 | 026-01X3141 | 30 LB TOP WEIGHT PLATE ASSEMBLY W/ 18 HOLE STEM | 1 |

OWNER'S MANUAL

ABBREVIATIONS

BZ = Black Zinc

WZ = White Zinc

HHB = Hex Head Bolt

FHCS = Flat Head Cap Screw

BHCS = Button Head Cap Screw

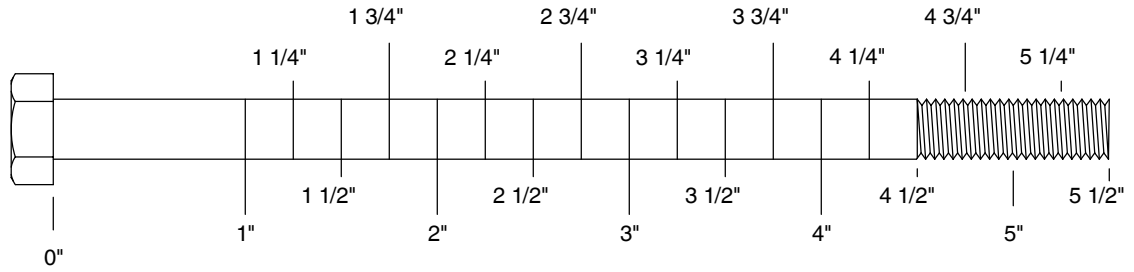
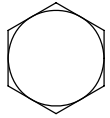
SHCS = Socket Head Cap Screw

SHSS = Socket Head Shoulder Screw

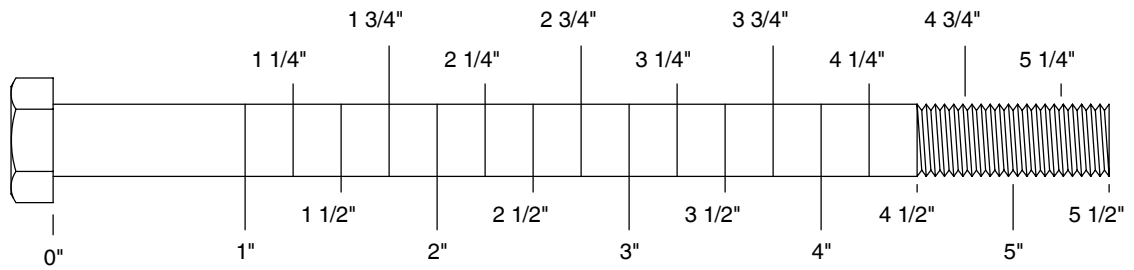
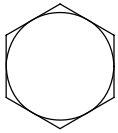
OWNER'S MANUAL

BOLT SIZING CHART

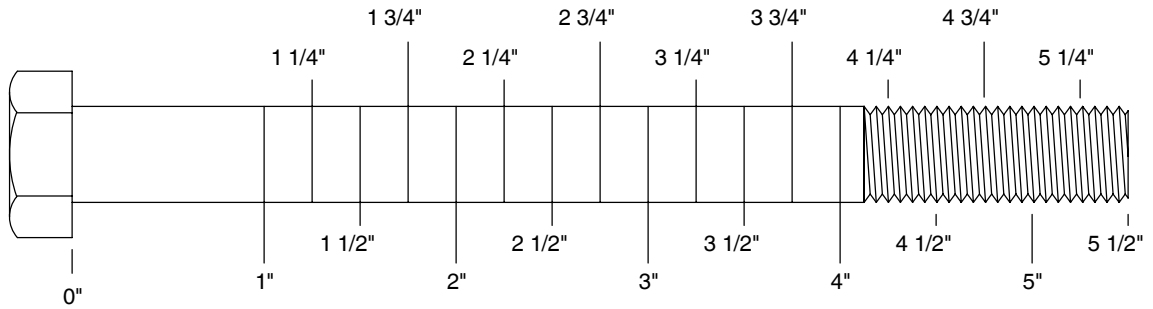
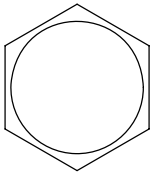
5/16" HHB



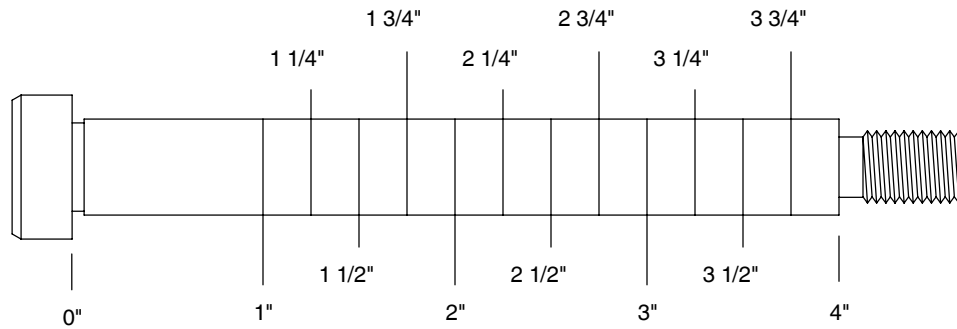
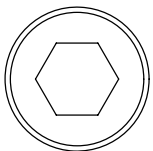
3/8" HHB



1/2" HHB

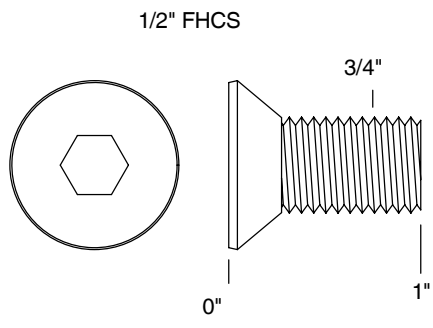
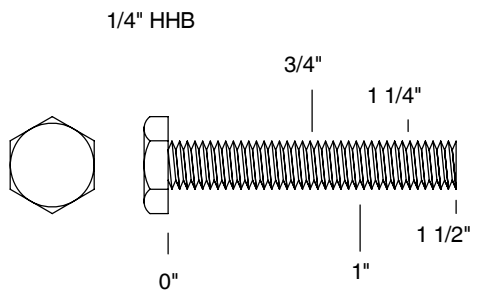
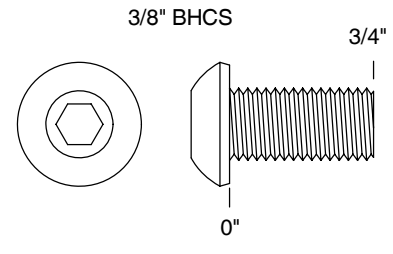
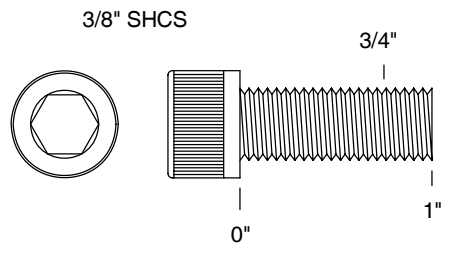
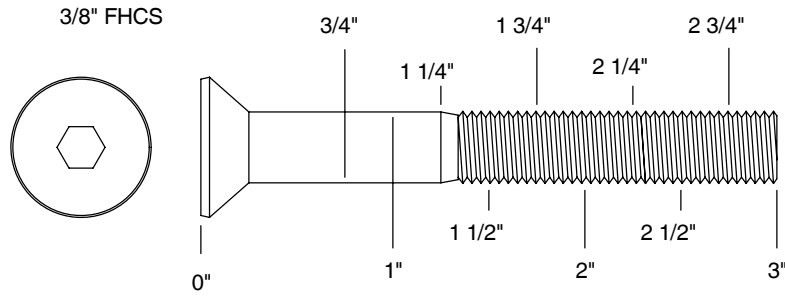


1/2" SHSS



OWNER'S MANUAL

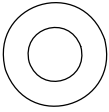
BOLT SIZING CHART (CONTINUED)



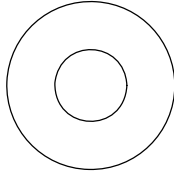
OWNER'S MANUAL

WASHER SIZING CHART

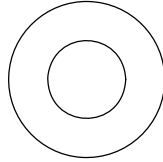
013-0002003
1/4"
FLAT WASHER
SMALL, SAE, 13mm



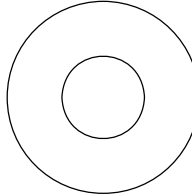
013-0102004
5/16"
FLAT WASHER
LARGE, USS, 22mm



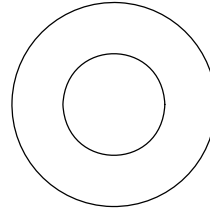
013-0002004
3/8"
FLAT WASHER
SMALL, SAE, 21mm



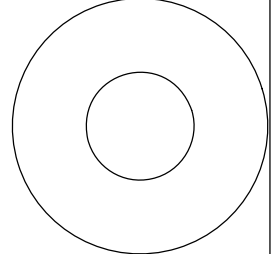
013-0402005
3/8"
FLAT WASHER
LARGE, USS, 25mm



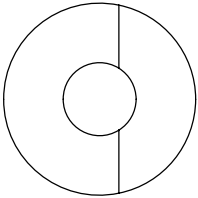
013-0102003
1/2"
FLAT WASHER
SMALL, SAE, 27mm



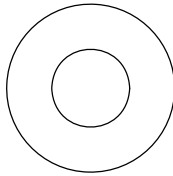
013-0102026
1/2"
FLAT WASHER
LARGE, USS, 34mm



013-0102028
3/8"
CURVED WASHER



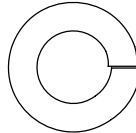
013-0402007
3/8"
FLAT WASHER
22mm O.D.



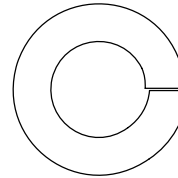
013-0102019
1/4"
LOCK WASHER



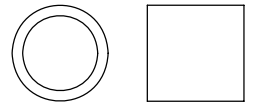
013-0102020
3/8"
LOCK WASHER



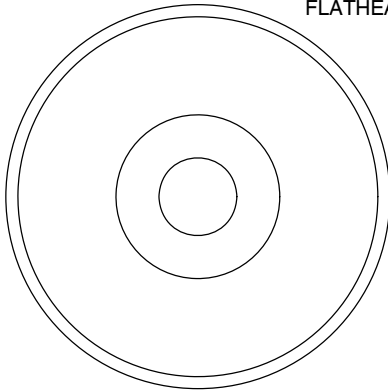
013-0102018
1/2"
LOCK WASHER



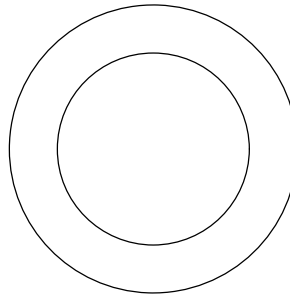
014-0018001
1/2" LONG
SPACER



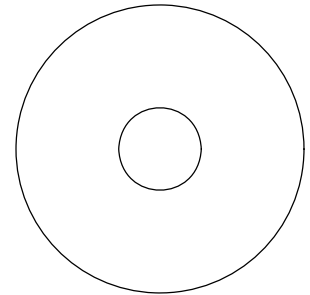
026-01M0238
2" ALUMINUM
FLATHEAD CAP



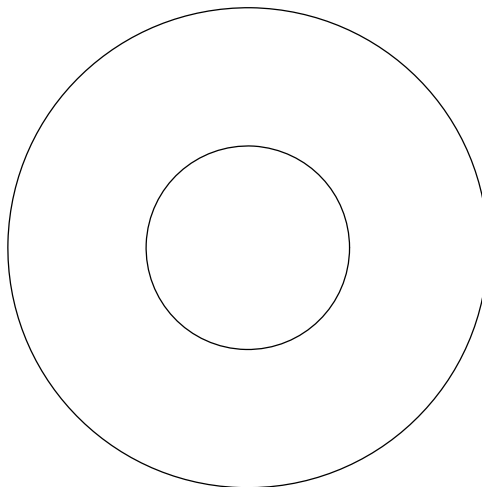
016-0009003
1" SHIM WASHER



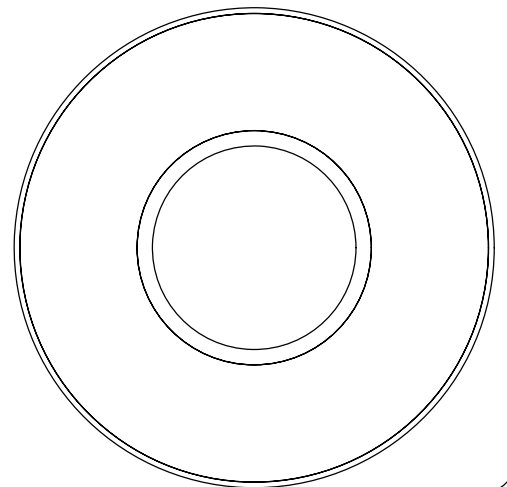
013-0003002
3/8" FENDER WASHER



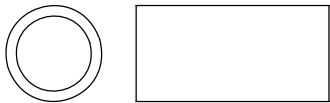
013-0003004
1 1/16"
FENDER WASHER



026-01PL151
PLASTIC 1 1/16"
FENDER WASHER



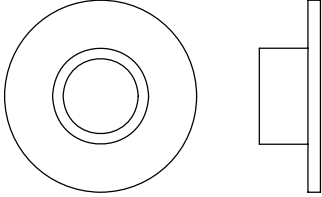
014-0018002
1" LONG
SPACER



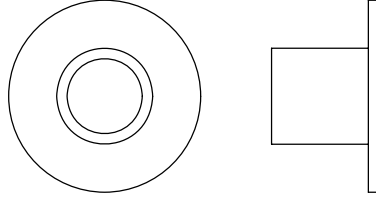
OWNER'S MANUAL

WASHER SIZING CHART (CONTINUED)

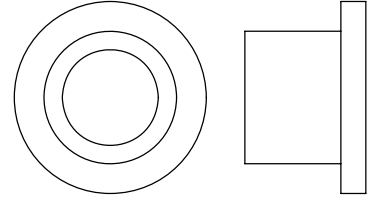
026-01M0211
1/4" LONG
FLANGED SPACER



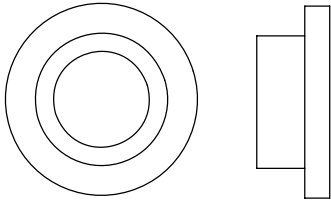
026-01M0198
1/2" LONG
FLANGED SPACER



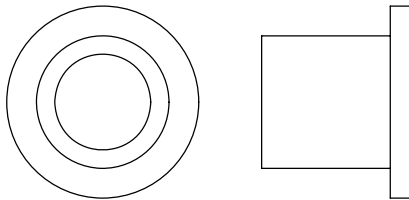
026-01M0760
1/2" LONG HEAVY
FLANGED SPACER



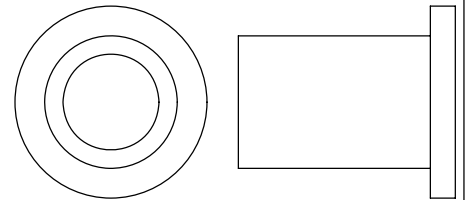
026-01M211T
1/4" LONG HEAVY
FLANGED SPACER



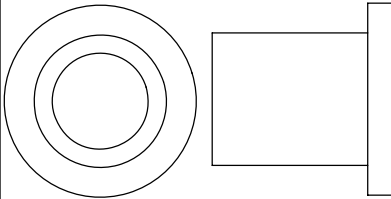
026-01M0532
11/16" LONG HEAVY
FLANGED SPACER



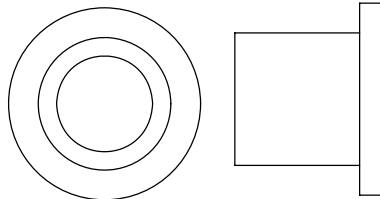
026-01M0551
1" LONG HEAVY
FLANGED SPACER



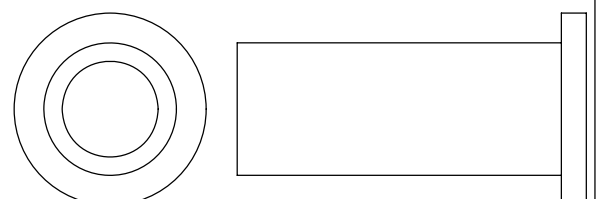
026-01M0788
.81" LONG HEAVY
FLANGED SPACER



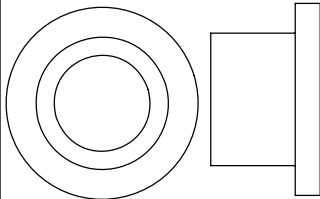
026-01M0780
.65" LONG HEAVY
FLANGED SPACER



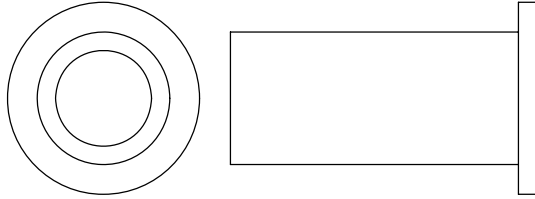
026-01M0761
1 11/16" LONG HEAVY
FLANGED SPACER



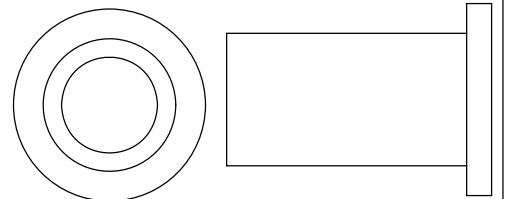
026-01M0789
.44" LONG HEAVY
FLANGED SPACER



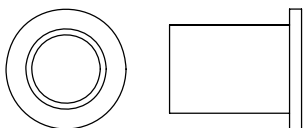
026-01M0762
1 1/2" LONG HEAVY
FLANGED SPACER



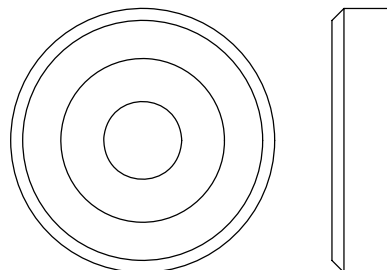
026-01M0768
1 1/4" LONG HEAVY
FLANGED SPACER



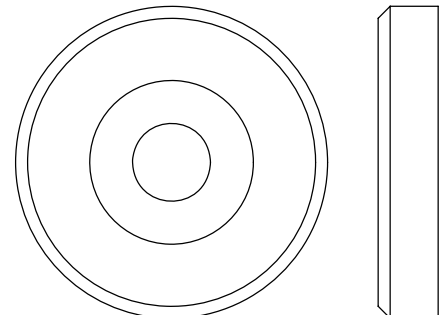
026-01M0600
.625" LONG
FLANGED SPACER



026-01M0240
1 3/8" ALUMINUM
FLATHEAD CAP



026-01M0239
1 5/8" ALUMINUM
FLATHEAD CAP



OWNER'S MANUAL

HOIST FITNESS SYSTEMS **GENERAL MAINTENANCE INFORMATION**

Links, Pull-Pins, Snap Hooks, Swivels, Weight Stack Pins:

- Check all pieces for signs of visible wear or damage.
- Check springs in snap hooks and pull-pins for proper tension and alignment.
- If the spring sticks or has lost its rigidity, replace it immediately.

Upholstery:

- To ensure prolonged upholstery life and proper hygiene, all upholstered pads should be wiped down with a damp cloth after every workout.
- Periodically take the time to use a mild soap or an approved vinyl upholstery cleaner to deter the onset of cracking or drying. Avoid using any abrasive cleaners or cleaners not intended for use on vinyl.
- Replace ripped or worn upholstery immediately.
- Keep sharp or pointed objects clear of all upholstery.

Decals:

- Inspect and familiarize yourself with any safety warnings or other user information posted on each decal.

Nuts and Bolts:

- Inspect all nuts and bolts for any loosening and tighten if needed.
- Go through a re-tightening sequence periodically to ensure that all hardware is tensioned proper.

Anti-Skid Surfaces:

- These surfaces are designed to supply secure footing and need to be replaced if they appear worn or become slippery.

Belts and Cables:

- Hoist uses only high quality belt, and mil-spec cables.
- Visually inspect the belts and cables for fraying, cracking, peeling or discoloration.
- While the machine is not in use, carefully run your fingers along the belt or cable to feel for thinning or bulging areas.
- Replace belts and cables immediately at the first signs of damage or wear. Do not use equipment until belts or cables have been replaced.

OWNER'S MANUAL

GENERAL MAINTENANCE INFORMATION

(CONTINUED)

Belt and Cable Tension:

- Referring to the Owners Manual, when belts or cables are used check all bolts attachments to be sure they are properly attached.
- Check slack in cables and re-adjust cable tension if needed.

Seat Sleeves, Guide Rods:

- Wipe down adjusting tubes with a dust free rag before applying lubricant.
- Lubricate seat sleeves and Guide Rods with a Silicon or Teflon based lubricant spray.

Linear Bearings:

- Referring to the Owners Manual carefully disassemble the bearing from its housing and place a finger full of light grease (lithium, super lube, etc.) into the inside of the bearing. Using your finger, press the grease into the ball-bearings and their tracks. repeat until the ball-bearing tracks are full of grease. Insert the shaft back into the bearing and wipe off excess grease.

PLEASE KEEP THIS FOR YOUR RECORDS

OWNER'S MANUAL

MAINTENANCE SCHEDULE

| ROUTINE | COMMERCIAL MAINTENANCE | HOME MAINTENANCE | LATEST DATE ENTRY | | | | | | | | | | | | | | | | | | | |
|--|---------------------------|---------------------|-------------------|--|--|--|--|--|--|--|--|--|--|--|--|--|--|--|--|--|--|--|
| Inspect; Links, Pull Pins, Snap Locks, Swivels, Weight Stack Pins | DAILY | WEEKLY | | | | | | | | | | | | | | | | | | | | |
| Clean; Upholstery | DAILY | WEEKLY | | | | | | | | | | | | | | | | | | | | |
| Inspect; Cables or Belts and their tension | DAILY | WEEKLY | | | | | | | | | | | | | | | | | | | | |
| Inspect; Accessory Bars, and Handles | WEEKLY | 3 MONTHS | | | | | | | | | | | | | | | | | | | | |
| Inspect; All Decals | WEEKLY | 3 MONTHS | | | | | | | | | | | | | | | | | | | | |
| Inspect; All Nuts and Bolts, Tighten if needed | WEEKLY | 3 MONTHS | | | | | | | | | | | | | | | | | | | | |
| Inspect; Anti-Skid Surface | WEEKLY | 3 MONTHS | | | | | | | | | | | | | | | | | | | | |
| Clean & Lubricate; Guide Rods with a Teflon (PTFE) based lubricant (Superlube) | MONTHLY | 3 MONTHS | | | | | | | | | | | | | | | | | | | | |
| Lubricate; Seat Sleeves, Turcite Bushings, Linear Bearing | MONTHLY | 3 MONTHS | | | | | | | | | | | | | | | | | | | | |
| Clean and Wax; All Glossy Finishes | 6 MONTHS | YEARLY | | | | | | | | | | | | | | | | | | | | |
| Repack with Grease; Linear Bearings | 6 MONTHS | YEARLY | | | | | | | | | | | | | | | | | | | | |
| Replace; Cables, Belts and Connecting Parts | YEARLY | 3 YEARS | | | | | | | | | | | | | | | | | | | | |

*Your equipment comes with a commercial maintenance decal.
For personal, in home use, please follow the home maintenance schedule listed above.*

OWNER'S MANUAL

WEIGHT TRAINING TIPS

Always consult your physician before starting any exercise program.

To be successful in your exercise program, it is important to develop an understanding of the basic principles of strength training. Now that you have your HOIST® Fitness System, it is only natural that you want to get started immediately. First, determine a set of realistic goals and objectives for yourself. By deciding on an exercise plan that is right for you prior to starting, you will contribute significantly to your success.

Warm up properly before engaging in weight resistance training. Stretching, yoga, jogging, calisthenics or other cardiovascular exercise can help prepare your body for the heavier workload of lifting weights.

Learn how to perform the exercise correctly before using heavy weight. Correct form is important to avoid injury and to ensure that you work the proper muscle groups.

Know your limitations. If you are new to weight training or are embarking on an exercise regimen after a long layoff, start slowly and build foundational strength over a longer period of time.

Pay attention to your breathing. Exhale when you exert is a general rule of thumb. Never hold your breath.

To gain maximum results and avoid possible injury, consult a fitness professional to develop your complete exercise program.

Enjoy your HOIST Fitness System!

OWNER'S MANUAL

HOIST FITNESS SYSTEMS **LIMITED LIFETIME WARRANTY**

Hoist Fitness Systems warrants this product to the **original purchaser** to be free from defects in workmanship and/or materials under normal use or service. If at any time a component part is defective, Hoist Fitness Systems shall repair or replace it (at Hoist Fitness Systems option) within a reasonable period of time. This warranty does not cover costs of removal, transportation or reinstallation. This warranty shall not apply if the defect was caused by misuse, neglect or normal wear and tear.

WARRANTY CLAIMS. All claims require: Model number, Serial number, Date of installation, and any information supporting the existence of the alleged defect.

**To complete Warranty Registration visit:
www.HOISTFITNESS.com
and click on the Warranty Registration link**

Starting from the original date of purchase, normal wear and tear shall be considered as the following:

COMMERCIAL USE: All malfunctions of upholstery, grips, paint, and chrome that occur after one year; all malfunctions of electronic components, belts, or **cables** after one year; all malfunctions of pulleys, bearings, or bushings that occur after five years. The frame and all welded components are warranted for the life of the product.

HOME USE: All malfunctions of grips, paint, and chrome that occur after ten years; all malfunctions of electronic components, belts, **cables**, or upholstery that occur after ten years; all malfunctions of pulleys, bearings, or bushings that occur after ten years. The frame and all welded components are warranted for the life of the product.

PLEASE NOTE THAT NOT ALL HOIST PRODUCTS ARE MADE FOR COMMERCIAL USE.

Refer to the instructions page of your owners manual or consult with you fitness product dealer to establish if a product is made for commercial use or not. Using a non-commercial product in a commercial setting can result in serious injury or death!

Hoist Fitness Systems sole responsibility shall be to repair or replace the component within the terms stated above. Hoist Fitness Systems shall not be liable for any loss or damage of any kind including any incidental or consequential damages resulting, directly or indirectly from any warranty expressed or implied or any other failure of this product.

WHAT IS NOT COVERED BY THIS WARRANTY

Hoist's sole obligation under this warranty is limited to either repair or replacement of parts, subject to the additions below. This warranty neither assumes nor authorizes any person to assume obligations other than expressly covered by this warranty.

NO CONSEQUENTIAL DAMAGES. Hoist is not responsible for economic loss; profit loss; or special, indirect, or consequential damages.

WARRANTY IS NOT TRANSFERABLE. This warranty is not assignable and applies only in favor of the original purchaser/user to whom delivered. Any such assignment or transfer shall void the warranties herein made and shall void all warranties, expressed, implied or statutory, except the one (1) and five (5) year warranties described above. These warranties are exclusive and in lieu of all other warranties, including implied warranty and merchantability or fitness for a particular purpose. There are no warranties which extend beyond the description on the face hereof.

TRANSPORTATION COSTS. Hoist will accept parts covered under this warranty freight collect, provided that shipment has received prior approval. Hoist is not responsible for any other transportation costs, but will ship freight collect parts either repaired or replaced under these warranties.

Hoist Fitness Systems
9990 Empire St. #130
San Diego, CA. 92126
(800)548-5438

PLEASE KEEP THIS FOR YOUR RECORDS